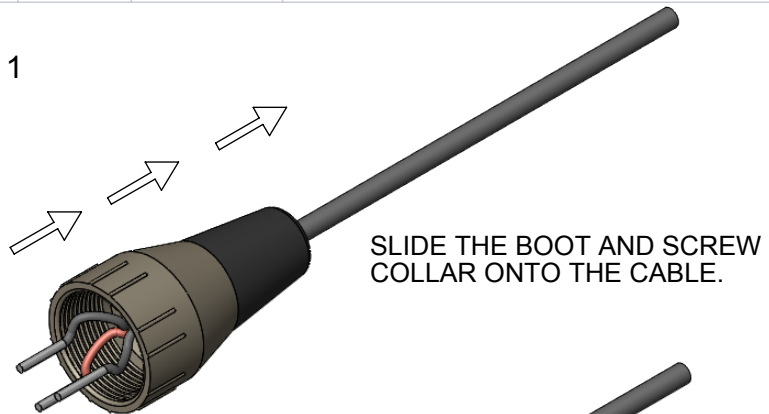


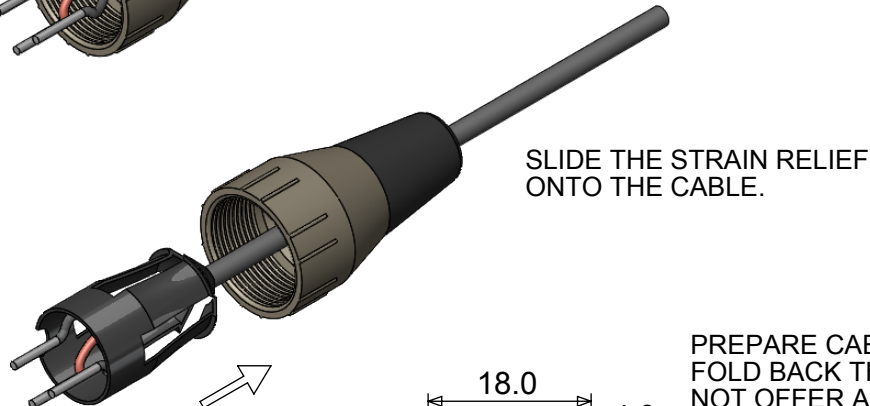
REV 002	1 DATE 23 Apr 2018	ECN NUMBER C03821	2 ECB COMMENT UPDATE BORDER	3	4	5	6	7
------------	--------------------------	----------------------	-----------------------------------	---	---	---	---	---

STEP 1



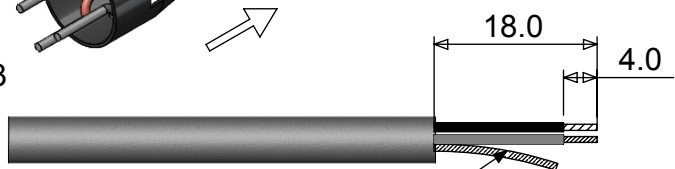
SLIDE THE BOOT AND SCREW COLLAR ONTO THE CABLE.

STEP 2



SLIDE THE STRAIN RELIEF ONTO THE CABLE.

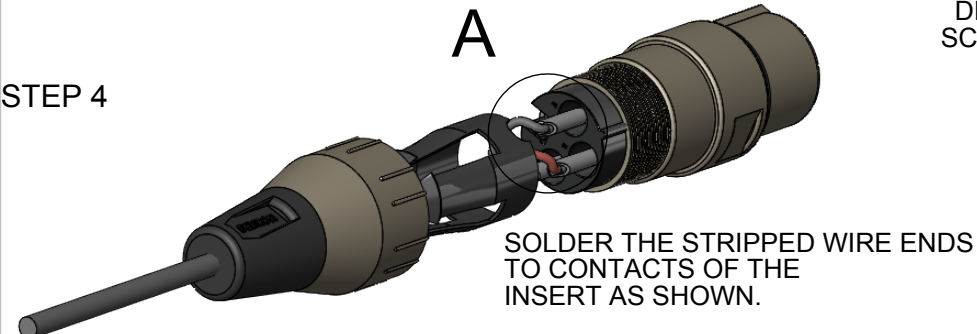
STEP 3



DRAIN WIRE OR PART SHIELD TIGHTLY TWISTED.

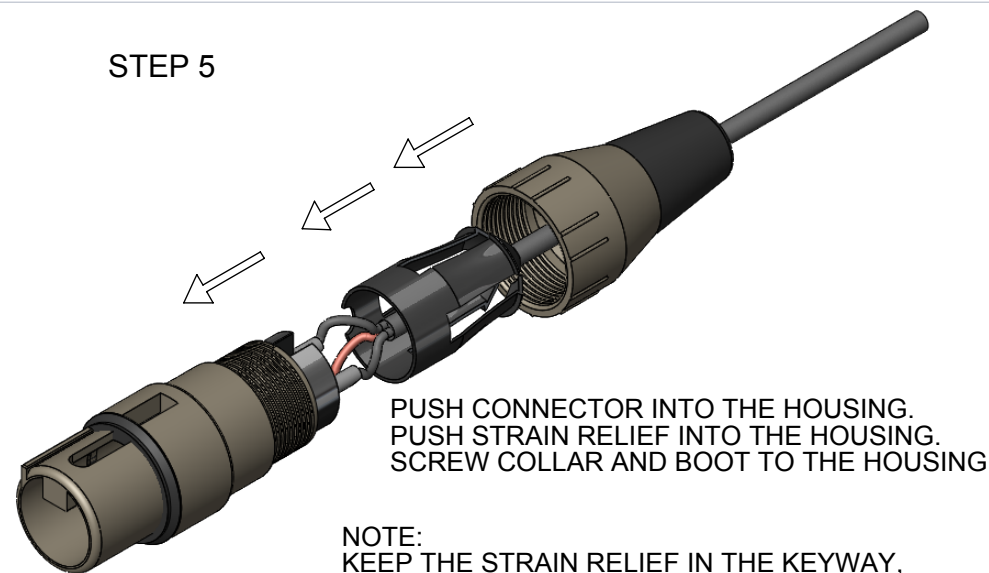
PREPARE CABLE AS SHOWN. FOLD BACK THE SHIELD, IF THE CABLE DOES NOT OFFER A DRAIN WIRE TWIST A PART OF THE SHIELD FOR CONTACT.

STEP 4



SOLDER THE STRIPPED WIRE ENDS TO CONTACTS OF THE INSERT AS SHOWN.

STEP 5



PUSH CONNECTOR INTO THE HOUSING. PUSH STRAIN RELIEF INTO THE HOUSING. SCREW COLLAR AND BOOT TO THE HOUSING

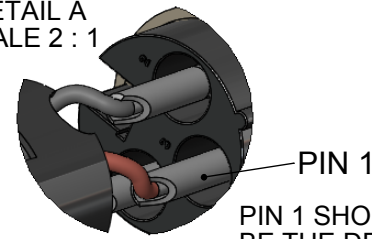
NOTE: KEEP THE STRAIN RELIEF IN THE KEYWAY, AVOID ANY ROTATION OF THE CABLE DURING ASSEMBLY.

FEMALE CONNECTOR

MALE CONNECTOR

MAXIMUM WIRESIZE: 10AWG 6.0mm²

DETAIL A
SCALE 2 : 1



PIN 1
PIN 1 SHOULD ALWAYS BE THE DRAIN WIRE

		PROPRIETARY AND CONFIDENTIAL: THE INFORMATION CONTAINED IN THIS DRAWING IS THE SOLE PROPERTY OF ALPHA 3 MANUFACTURING. ANY REPRODUCTION IN PART OR AS A WHOLE WITHOUT THE WRITTEN PERMISSION OF ALPHA 3 MANUFACTURING IS PROHIBITED. DEM Manufacturing is a division of Alpha 3 Manufacturing LTD DEM Manufacturing, Deltron Emcon House, Hargreaves Way, Sawcliffe Ind. Park, Scunthorpe, North Lincolnshire, DN15 8RF, UK		UNLESS OTHERWISE SPECIFIED DIMENSIONS ARE IN MILLIMETRES LINEAR & RADIAL TOLERANCE: NO DECIMAL PLACES ±0.2mm 1 DECIMAL PLACE ±0.1mm 2 DECIMAL PLACES ±0.05mm ANGULAR TOLERANCE: ±1°		IF IN DOUBT ASK! DO NOT SCALE DRAWING!		AUTHOR: Shaun Barron EDITOR: DT APPROVER: AY		TITLE: ASSEMBLY INSTRUCTION FILE: 7000 SERIES CONNECTOR PART: XLR CONNECTOR	
+44(0)1724 273200 www.dem-uk.com		THE FINISHED PRODUCT SHOULD BE CLEAN AND FREE FROM ALL LIQUIDS AND DEBRIS. SURFACES SHOULD BE OF UNIFORM APPEARANCE FREE FROM SHARP EDGES, BURRS AND CORROSION		THIRD ANGLE PROJECTION		SHEET 1 OF 1 SCALE 1:1 A4		ISSUE/REV. 002 RELEASED		VERSION 13 EDIT DATE 23 Apr 2018	