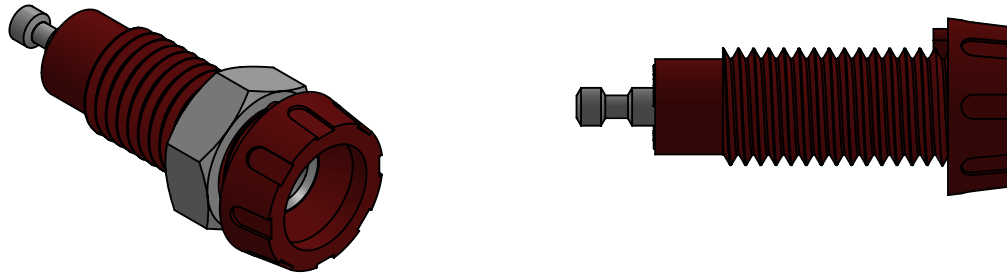
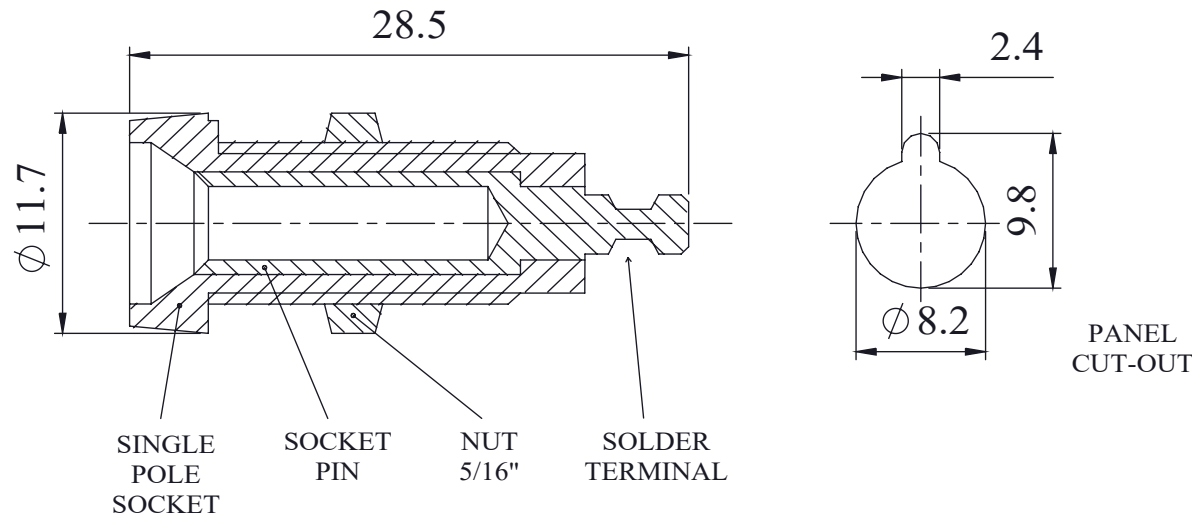


RIGID PANEL MOUNTING SOCKET RETAINED IN PLACE BY A NUT.
 SOCKET ACCEPTS 4mm DIAMETER PLUGS, PART IS SUITABLE TO BE USED
 FOR PANELS OF UP TO 13.5mm THICKNESS.
 WIRE CONNECTION IS VIA A SOLDER TAG

(THERE IS A SOLDER BUCKET VERSION AVAILABLE REF 563 SERIES)



Dimensions



MATERIAL	
INSULATING SHELL	POLYPROPYLENE
SOCKET	BRASS, SILVER PLATED
NUT	BRASS, NICKEL PLATED
ELECTRICAL	
RATED CURRENT	10A
RATED VOLTAGE	50V
NOMINAL WORKING VOLTAGE	250 VOLTS R.M.S
CONTACT RESISTANCE	10mΩ
TEMPERATURE	+147°C to -20°C
RECOMMENDED TEMPERATURE	10A @ 55°C
MECHANICAL	
RECOMMENDED TORQUE	0.4Nm MAX
RECOMMENDED PANEL THICKNESS	13.5mm MAX

PART NUMBER	COLOUR
551-0100	BLACK
551-0200	BLUE
551-0300	BROWN
551-0400	GREEN
551-0500	RED
551-0600	WHITE
551-0700	YELLOW