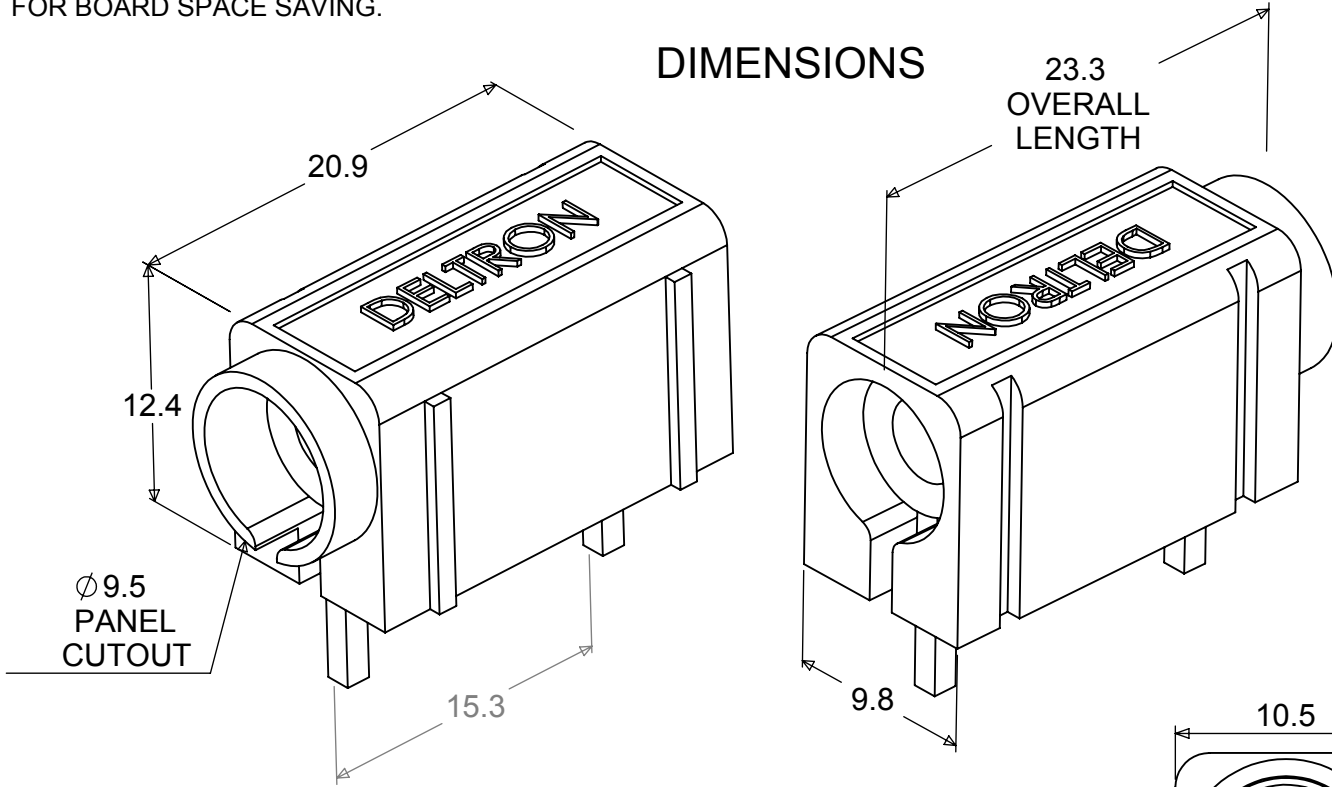


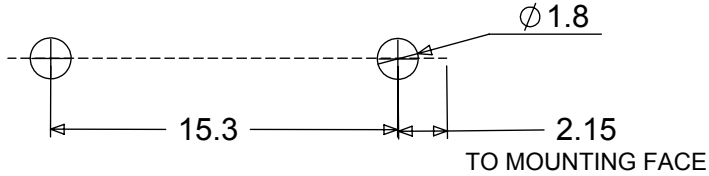
REV 010	1 DATE 12 Sep 2018	ECN NUMBER C02988	2 ECR COMMENT NEW BORDER	3	4	5	6	7
------------	--------------------------	----------------------	--------------------------------	---	---	---	---	---

AN INSULATED 4mm SOCKET, FOR DIRECT MOUNTING ONTO A PRINTED CIRCUIT BOARDS.
GROOVES IN THE OUTER ACETAL HOUSING PROVIDE STACKING ALIGNMENT
FOR BOARD SPACE SAVING.

DIMENSIONS



Insulant	Acetal
Pin	Brass, Silver Plate
Bush	Brass, Silver Plate
Amps	10A
Working Voltage	50V
Contact Resistance	10mΩ
Maximum Temperature RTI	+ 110 °C
Minimum Temperature	- 25 °C
Recommended Temperature	10A @ 55 °C
Voltage Breakdown	5000V
Recommended Conductor Size	1.5mm ²
Colours	Order Code
Black	571-0110
Blue	571-0210
Brown	571-0310
Green	571-0410
Red	571-0510
White	571-0610
Yellow	571-0710

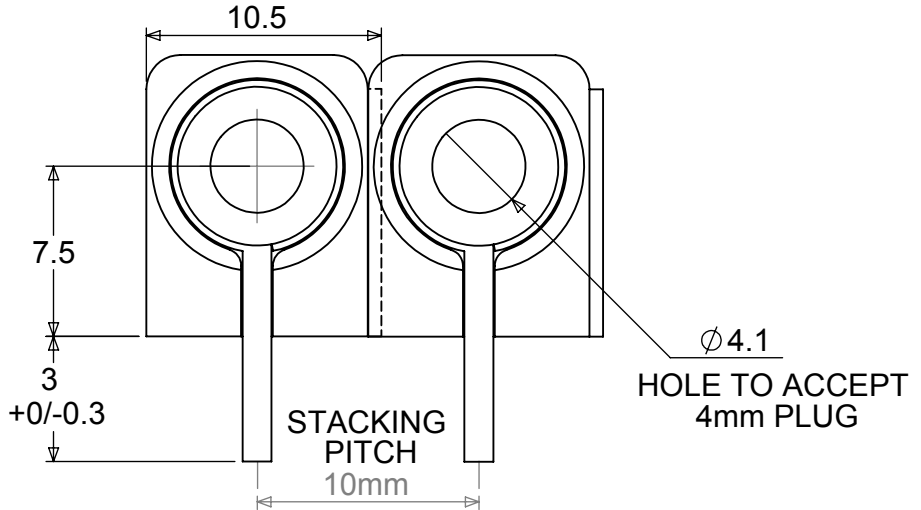


PCB LAYOUT

Component complies with 260° deg J-STD-075
Non-IC Electronic Components Standard
Met PSL W4

90° PCB MOUNTED INSULATED SOCKET-SINGLE

PCB PIN LENGTH



PROPRIETARY AND CONFIDENTIAL:
THE INFORMATION CONTAINED IN THIS DRAWING IS THE SOLE PROPERTY OF ALPHA 3 MANUFACTURING. ANY REPRODUCTION IN PART OR AS A WHOLE WITHOUT THE WRITTEN PERMISSION OF ALPHA 3 MANUFACTURING IS PROHIBITED.
DEM Manufacturing is a division of Alpha 3 Manufacturing LTD
DEM Manufacturing, Deltron Emcon House, Hargreaves Way, Sawcliffe Ind. Park, Scunthorpe, North Lincolnshire, DN15 8RF, UK

UNLESS OTHERWISE SPECIFIED DIMENSIONS ARE IN MILLIMETRES
LINEAR & RADIAL TOLERANCE:
NO DECIMAL PLACES
1 DECIMAL PLACE
2 DECIMAL PLACES
ANGULAR TOLERANCE:

IF IN DOUBT ASK! DO NOT SCALE DRAWING!
FINISH SEE CHART
MATERIAL SEE CHART
THE FINISHED PRODUCT SHOULD BE CLEAN AND FREE FROM ALL LIQUIDS AND DEBRIS. SURFACES SHOULD BE OF UNIFORM APPEARANCE FREE FROM SHARP EDGES, BURRS AND CORROSION

AUTHOR SB
EDITOR DT
APPROVER AY
THIRD ANGLE PROJECTION
SHEET 1 OF 1
SCALE 3:1 A4

TITLE GENERAL SPECIFICATION
FILE 571 SHORT SERIES
PART SINGLE 4mm PCB SOCKET
ISSUE/REV. 010
VERSION 15
RELEASED
EDIT DATE 12 Sep 2018