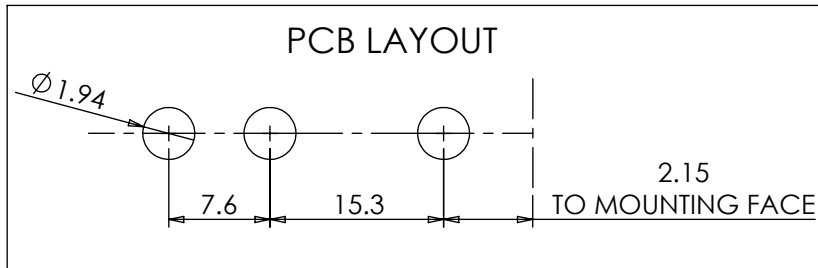
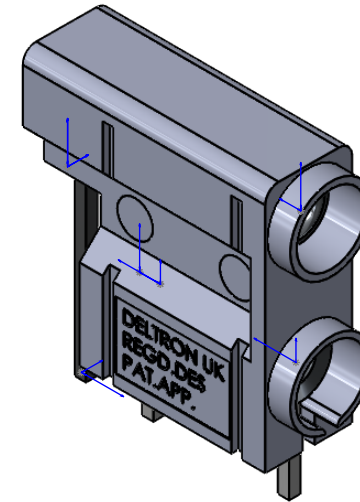


90° PCB MOUNTED INSULATED SOCKET - DOUBLE

A DOUBLE INSULATED 4mm SOCKET, FOR DIRECT MOUNTING ONTO PRINTED CIRCUIT BOARDS. HAS GROOVES ON THE OUTER HOUSING WHICH PROVIDE SIDE STACKING ALIGNMENT

COMPONENT COMPLIES WITH 260° J-STD-075
NON-IC ELECTRONIC COMPONENTS STANDARD MET PSL W4



PRODUCT INFORMATION AND RATINGS 572 RANGE, 4mm PCB DOUBLE SOCKET

INSULANT	ACETAL
PIN	BRASS, SILVER PLATE
BUSH	BRASS, SILVER PLATE
AMPS	10A
WORKING VOLTAGE	50V
CONTACT RESISTANCE	10mΩ
MAXIMUM TEMPERATURE RTI	+110°C
MINIMUM TEMPERATURE	-25°C
RECOMMENDED TEMPERATURE	10A @ 55°C
VOLTAGE BREAKDOWN	5000V
RECOMMENDED CONDUCTOR SIZE	1.5mm²
COLOURS	ORDER CODE
BLACK	572-0100
BLUE	572-0200
BROWN	572-0300
GREEN	572-0400
RED	572-0500
WHITE	572-0600
YELLOW	572-0700

DIMENSIONS

