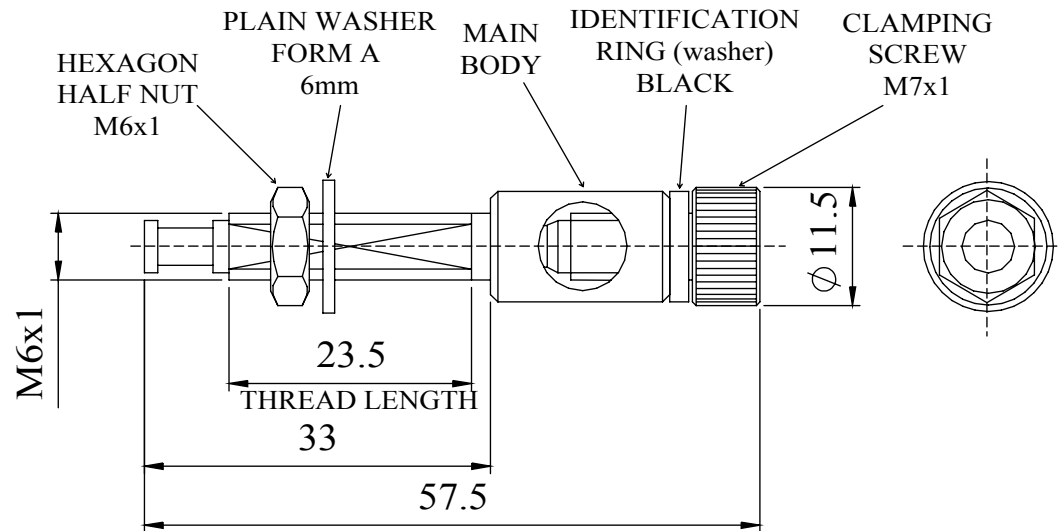


This product has a large cable entry hole that accepts cable up to 7,5mm in diameter and is ideally suited for rear termination of speakers. The speaker termination can be terminated in two methods, either a 4mm hole at the rear or clamped through the main hole via the knurled screw. This product can be supplied individually line coded black or red and supplied with a gold plated finish.

MATERIAL

- HEXAGON HALF NUT : Brass, nickel plated
- PLAIN WASHER : Brass, nickel plated
- MAIN BODY : Brass, BS2874 CZ121 gold flash on bright nickel flash
- RING IDENT. : C 27021 R Acetal,
- CLAMPING SCREW : Brass, BS2874 CZ121 gold flash on bright nickel flash

Dimensions



RATED CURRENT: 16A

Part No.	Description
577-0100	BLACK
577-0500	RED