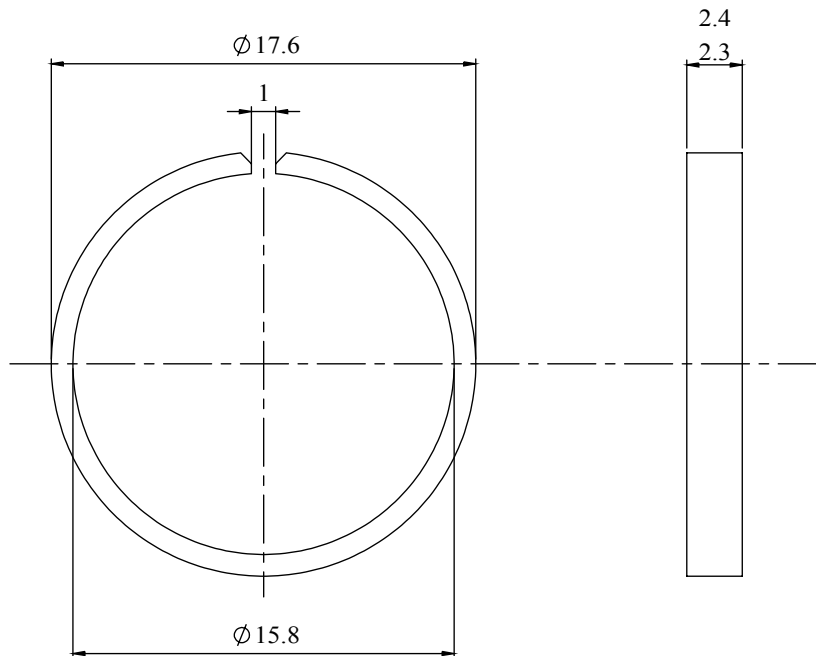


COLOUR CODED IDENTIFICATION RING, TO BE USED BETWEEN THE PLUG AND MATING PANEL SOCKET.  
EASILY INTERCHANGEABLE TO ENABLE A CLEAR COLOUR CODED IDENTIFICATION  
AVAILABLE IN FIVE COLOURS (IN BAGS OF 20), OR AS A MIXED BAG (4 EACH OF 5 COLOURS).

A DURABLE PLASTIC RING TO BE USED IN CONJUNCTION WITH THE STANDARD SOCKET RING  
LOCK DIN CONNECTORS (593 SERIES) IS ALSO AVAILABLE.

DIMENSIONS



ORDER CODES	
<b>BAGS OF 20 PCS</b>	
COLOUR	PART NUMBER
BLUE	593-0002
GREEN	593-0004
RED	593-0005
WHITE	593-0006
YELLOW	593-0007
MIXED BAG OF 20 PCS (4 OF EACH COLOUR)	593-0000