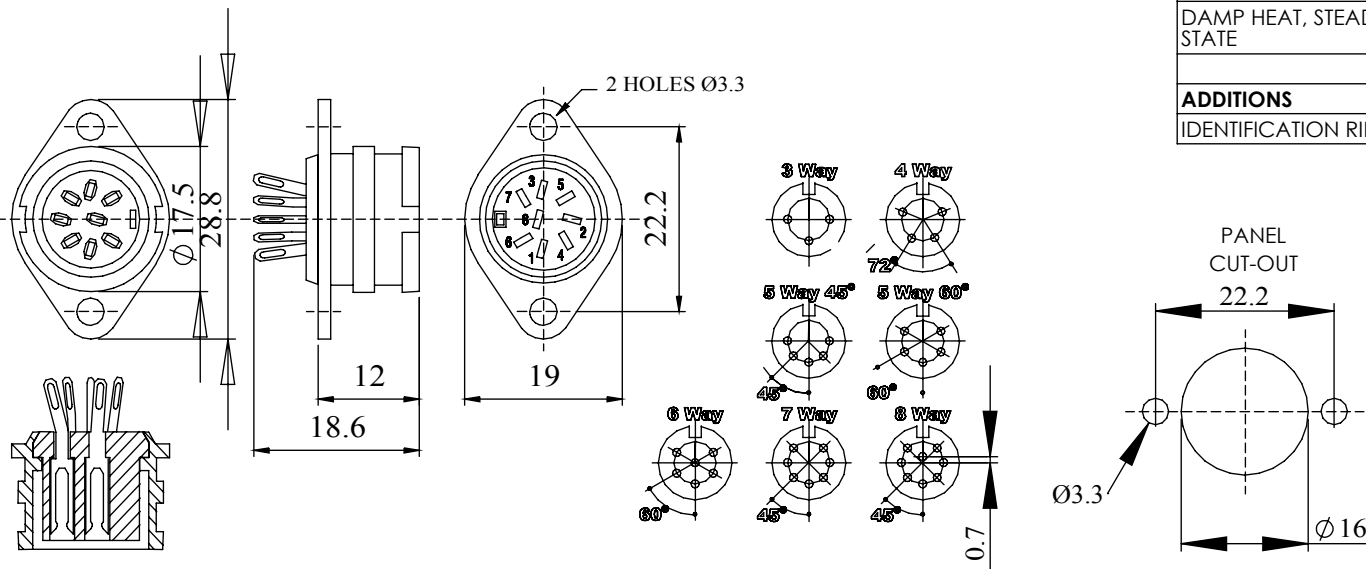


A RANGE OF PROFESSIONAL CHASSIS MOUNTING DIN SOCKETS FOR SPECIFIC USE WITH RING LOCK DIN CONNECTOR (592 SERIES). DESIGNED FOR PANEL MOUNTING VIA TWO FLANGES (FOR USE WITH M3 SCREW NOT SUPPLIED). WITH A QUICK AND SIMPLE QUARTER TURN OF THE LOCKING RING TO SECURE THE PLUG IN PLACE CAN ALSO BE COLOUR CODED VIA AND INTERCHANGEABLE COLOUR RING AVAILABLE IN SIX COLOURS

MANUFACTURED TO DIN 41524, 45322, 45326, 45327 AND 45329

### DIMENSIONS



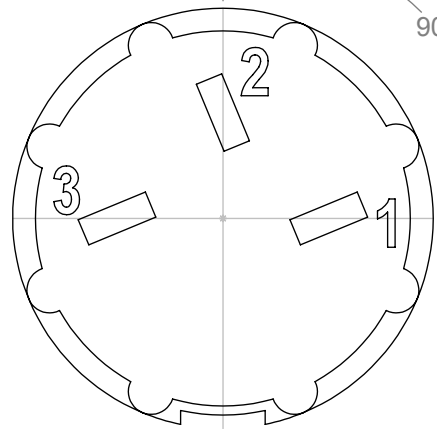
<b>MATERIAL</b>	
HOUSING	MAZAK
HOUSING FINISH	BRIGHT NICKEL PLATING
MOULDING	LEXAN 500R
CONTACT PIN	BRASS
CONTACT PIN FINISH	SILVER 3 MICRONS ON COPPER 1.5 MICRONS & ANTI-TARNISH
EARTH TAG	PHOSPHOR BRONZE
EARTH TAG FINISH	SILVER 3 MICRONS ON COPPER 1.5 MICRONS & ANTI-TARNISH
<b>ELECTRICAL</b>	
RATED VOLTAGE	34 V AC OR DC
CURRENT RATING	2 Amps
TEST VOLTAGE	500 V r.m.s
INSULATION RESISTANCE	103 MΩ MIN AT 100 V DC
CONTACT RESISTANCE	10 mΩ MAX
CAPACITANCE (MATED)	3pF
<b>CLIMATIC</b>	
CLIMATIC CATEGORY	25/070/21
TEMPERATURE RANGE	-25°C TO + 70°C
DAMP HEAT, STEADY STATE	21 DAYS
<b>ADDITIONS</b>	
IDENTIFICATION RING	ACETAL (REFER TO BELOW TABLE FOR PART NUMBERS)

IDENTIFICATION RING	
COLOUR	PART NUMBER
BLUE	593-0002
GREEN	593-0004
RED	593-0005
WHITE	593-0006
YELLOW	593-0007
MIXED(BAG 20 X 4 OF EACH COLOUR)	593-0000

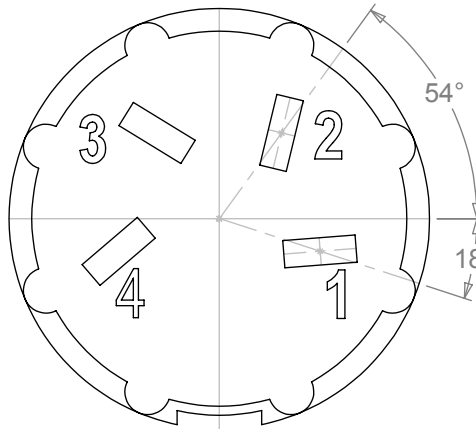
TYPE	PART NUMBER
3 WAY	593-0300
4 WAY	593-0400
5 WAY 45°	593-0500
5 WAY 60°	593-0510
6 WAY	593-0600
7 WAY	593-0700
8 WAY	593-0800

REV 002 001	DATE 26 Apr 2018 23 Apr 2018	ECN NUMBER C03817 C03817	ECR COMMENT ADD DESCRIPTION TO WEB SPEC	3	4	5	6	7
-------------------	------------------------------------	--------------------------------	--	---	---	---	---	---

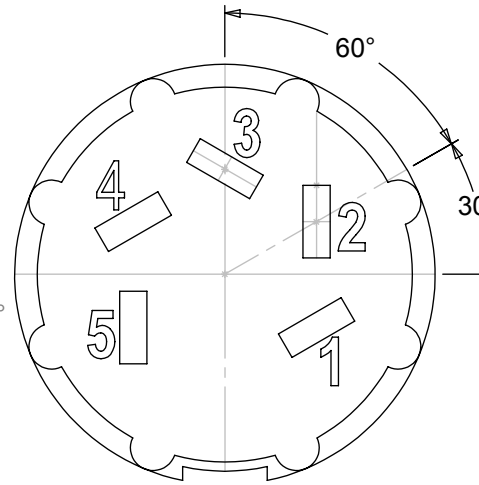
**PIN VARIATIONS USED IN: 593 / 630 / 631 / 650 / 651 / 690 / 691 - DIN SOCKET CONNECTORS**



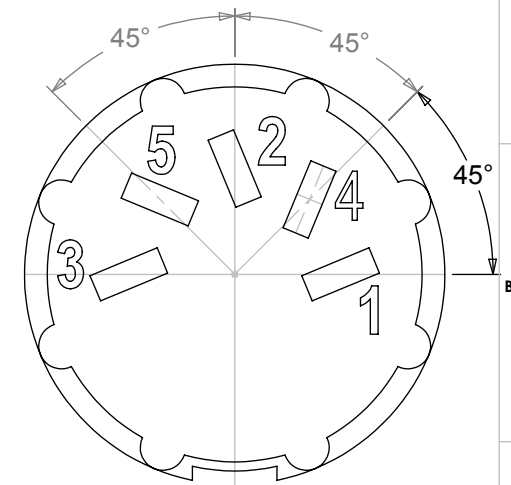
3 WAY



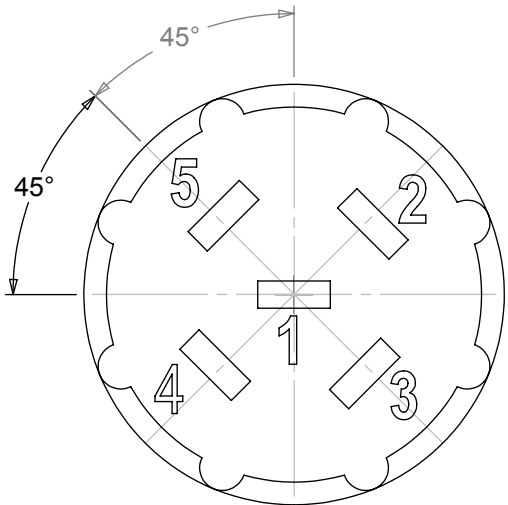
4 WAY



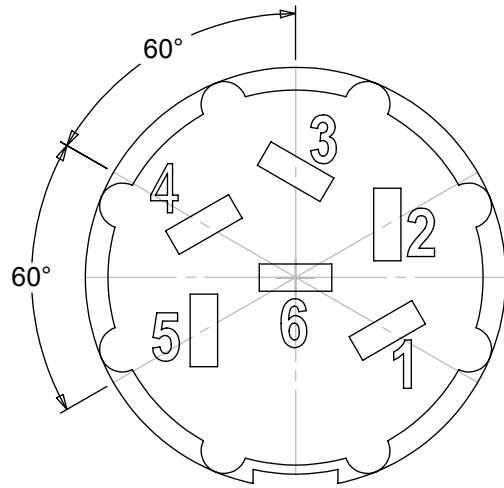
5 WAY 60°



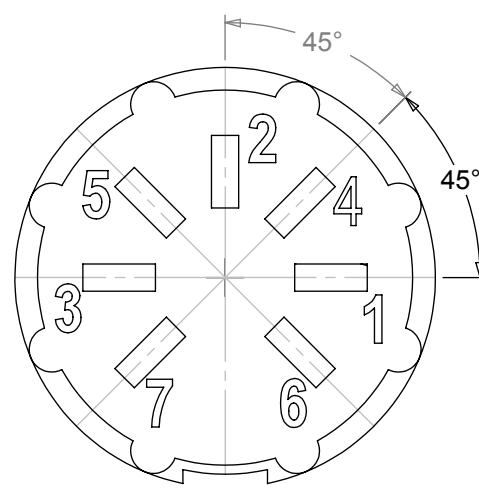
5 WAY 45°



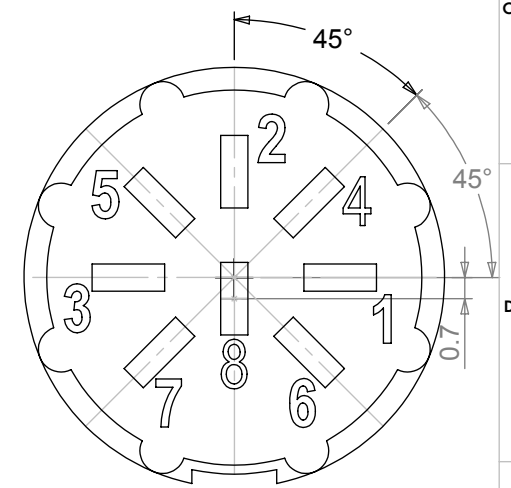
5 WAY DICE



6 WAY



7 WAY



8 WAY

**MANUFACTURED TO DIN STANDARD 41524, 45322, 45326, 45327 AND 45329**

**PROPRIETARY AND CONFIDENTIAL:**  
 THE INFORMATION CONTAINED IN THIS DRAWING IS THE SOLE PROPERTY OF ALPHA 3 MANUFACTURING. ANY REPRODUCTION IN PART OR AS A WHOLE WITHOUT THE WRITTEN PERMISSION OF ALPHA 3 MANUFACTURING IS PROHIBITED.  
 DEM Manufacturing is a division of Alpha 3 Manufacturing LTD  
 DEM Manufacturing, Deltron Emcon House, Hargreaves Way, Sawcliffe Ind. Park, Scunthorpe, North Lincolnshire, DN15 8RF, UK

UNLESS OTHERWISE SPECIFIED DIMENSIONS ARE IN MILLIMETRES  
 LINEAR & RADIAL TOLERANCE:  
**NO DECIMAL PLACES**  
**1 DECIMAL PLACE**  
**2 DECIMAL PLACES**  
**ANGULAR TOLERANCE:**

**IF IN DOUBT ASK! DO NOT SCALE DRAWING!**  
 FINISH: CLEAN  
 MATERIAL: REFER TO INDIVIDUAL RANGES  
 THE FINISHED PRODUCT SHOULD BE CLEAN AND FREE FROM ALL LIQUIDS AND DEBRIS. SURFACES SHOULD BE OF UNIFORM APPEARANCE FREE FROM SHARP EDGES, BURRS AND CORROSION

AUTHOR: DT  
 EDITOR: DT  
 APPROVER: WC  
 THIRD ANGLE PROJECTION  
 SHEET 1 OF 1  
 SCALE 2:1 A4

TITLE: PIN ORIENTATIONS  
 FILE: DIN SOCKET PIN ORIENTATION  
 PART: DIN SOCKET BASES  
 ISSUE/REV.: 002  
 VERSION: 13  
 RELEASED  
 EDIT DATE: 26 Apr 2018