

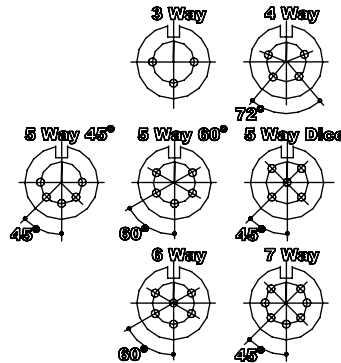
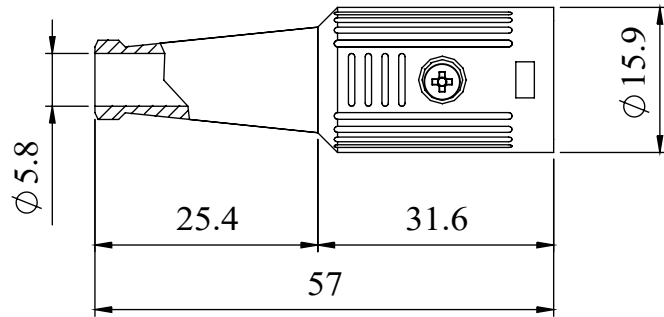
REV	DATE	ECN NUMBER	ECR COMMENT
003	24 Jul 2020	C04632	
002	09 Apr 2020	C04632	AMEND PLATING DESCRIPTION

A FULLY SCREENED ROBUST RANGE OF DIN CONNECTORS FOR USE IN INSTRUMENTATION AND AUDIO APPLICATIONS.  
 AVAILABLE IN TWO FINISHES BRIGHT NICKEL AND BLACK CHROME  
 INCORPORATING CABLE GRIP AND STRAIN RELIEF.  
 LINE SOCKET MATES WITH ALL STANDARD AND LOCKABLE DIN PLUGS

MANUFACTURED TO DIN 41524, 45322, 45326, 45327 AND 45329

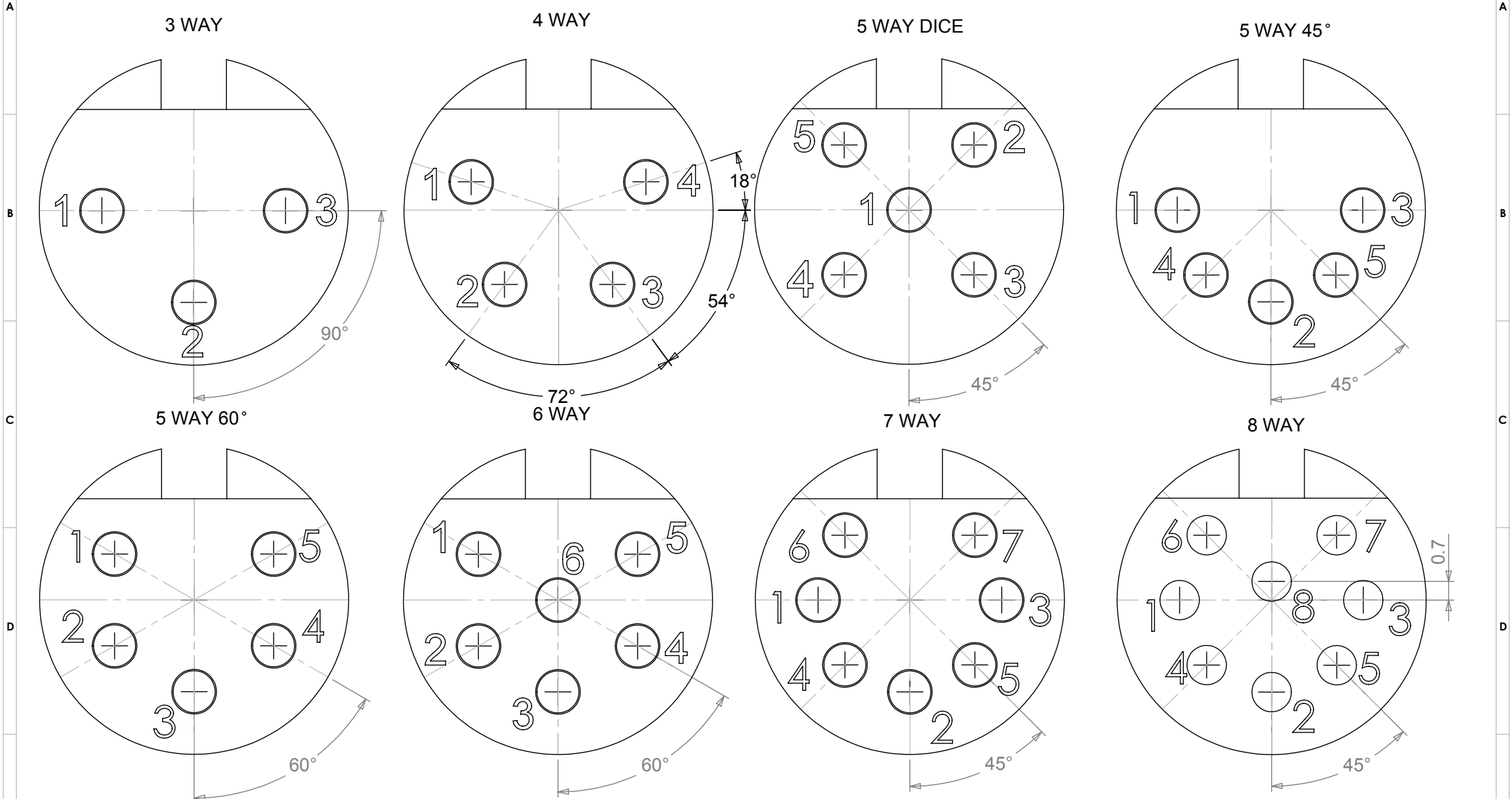
MATERIALS	
HOUSING	ZINC ALLOY
FINISH	BRIGHT NICKEL OR BLACK CHROME PLATE
MOULDING	NYLON
CONTACTS	BRASS BS2874 CZ121, PLATED SILVER & ANTI-TARNISH
CABLE CLAMP	BRASS 7 MILD STEEL, PLATED SILVER & ANTI-TARNISH
GROMMET	PVC BLACK
SCREW	M2.5 x 4 mm STEEL, NICKEL PLATED
ELECTRICAL	
RATED VOLTAGE	34V AC or DC
CURRENT RATING	2 Amp
TEST VOLTAGE	500 V r.m.s
INSULATION RESISTANCE	103 MΩ MIN AT 100 V DC
CONTACT RESISTANCE	10mΩ MAX
CAPACITANCE (MATED)	3pF
CLIMATIC	
CLIMATIC CATEGORY	25/070/21
TEMPERATURE RATING	-25°C TO + 70°C
DAMP HEAT, STEADY STATE	21 DAYS

### DIMENSIONS



TYPE	PART NUMBER	
	NICKEL	BLACK
3 WAY	600-0300	601-0300
4 WAY	600-0400	601-0400
5 WAY 45°	600-0500	601-0500
5 WAY 60°	600-0510	601-0510
5 WAY DICE	600-0520	601-0520
6 WAY	600-0600	601-0600
7 WAY	600-0700	601-0700

**PIN VARIATIONS USED IN: 590 / 591 / 592 / 600 / 601 / 610 / 611 - DIN PLUG CONNECTORS**



**MANUFACTURED TO DIN STANDARD 41524, 45322, 45326, 45327 AND 45329**

<b>DELTRON Components</b>	<b>bics</b>	<b>DEM</b>
<b>DELTRON Enclosures</b>	<b>Alpha3</b>	<b>manufacturing</b>
<b>ROXBURGH EMC</b>	DEM Manufacturing is a division of Alpha 3 Manufacturing LFD DEM Manufacturing, Deltron Emcon House, Hargreaves Way, Sawcliffe Ind. Park, Scunthorpe, North Lincolnshire, DN15 8RF, UK	
+44(0)1724 273200	www.dem-uk.com	

**PROPRIETARY AND CONFIDENTIAL:**  
THE INFORMATION CONTAINED IN THIS DRAWING IS THE SOLE PROPERTY OF ALPHA 3 MANUFACTURING. ANY REPRODUCTION IN PART OR AS A WHOLE WITHOUT THE WRITTEN PERMISSION OF ALPHA 3 MANUFACTURING IS PROHIBITED.

**UNLESS OTHERWISE SPECIFIED DIMENSIONS ARE IN MILLIMETRES LINEAR & RADIAL TOLERANCE:**  
**NO DECIMAL PLACES**  
**1 DECIMAL PLACE**  
**2 DECIMAL PLACES**  
**ANGULAR TOLERANCE:**

**IF IN DOUBT ASK! DO NOT SCALE DRAWING!**

FINISH	CLEAN
MATERIAL	REFER TO INDIVIDUAL RANGES
THE FINISHED PRODUCT SHOULD BE CLEAN AND FREE FROM ALL LIQUIDS AND DEBRIS. SURFACES SHOULD BE OF UNIFORM APPEARANCE FREE FROM SHARP EDGES, BURRS AND CORROSION	

AUTHOR	DT	TITLE	PIN ORIENTATIONS	
EDITOR	DT	FILE	DIN PLUG PIN ORIENTATION	
APPROVER	AY	PART	DIN PLUG PIN BASE	
THIRD ANGLE PROJECTION	SHEET 1 OF 1	ISSUE/REV.	001	VERSION 11
	SCALE 5:1	A4	RELEASED	EDIT DATE 23 Apr 2018