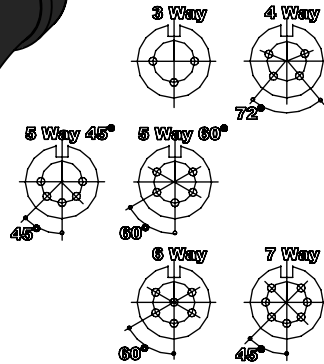
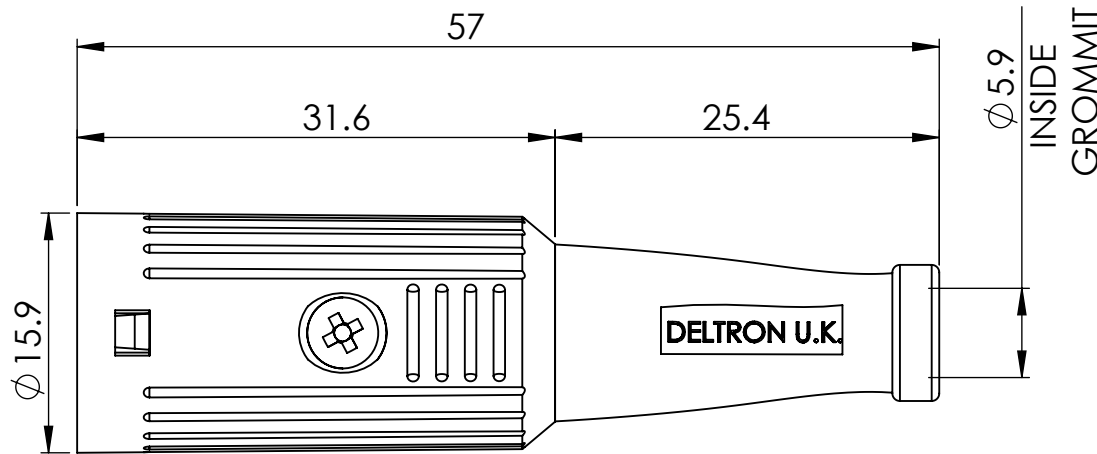


A FULLY SCREENED ROBUST RANGE OF DIN CONNECTORS FOR USE IN INSTRUMENTATION AND AUDIO APPLICATIONS.
 AVAILABLE IN TWO FINISHES BRIGHT NICKEL AND BLACK CHROME
 INCORPORATING CABLE GRIP AND STRAIN RELIEF.
 LINE SOCKET MATES WITH ALL STANDARD AND LOCKABLE DIN PLUGS

MANUFACTURED TO DIN 41524, 45322, 45326, 45327 AND 45329



DIMENSIONS



MATERIALS	
HOUSING	ZINC ALLOY
FINISH	BRIGHT NICKEL OR BLACK CHROME PLATE
MOULDING	NYLON
CONTACTS	BRASS BS2874 CZ121, PLATED SILVER & ANTI-TARNISH
CABLE CLAMP	BRASS 7 MILD STEEL, PLATED SILVER & ANTI-TARNISH
GROMMET	PVC BLACK
SCREW	M2.5 x 4 mm STEEL, NICKEL PLATED

ELECTRICAL	
RATED VOLTAGE	34V AC or DC
CURRENT RATING	2 Amp
TEST VOLTAGE	500 V r.m.s
INSULATION RESISTANCE	103 MΩ MIN AT 100 V DC
CONTACT RESISTANCE	10mΩ MAX
CAPACITANCE (MATED)	3pF

CLIMATIC	
CLIMATIC CATEGORY	25/070/21
TEMPERATURE RATING	-25°C TO + 70°C
DAMP HEAT, STEADY STATE	21 DAYS

TYPE	PART NUMBER	
	NICKEL	BLACK
3 WAY	600-0300	601-0300
4 WAY	600-0400	601-0400
5 WAY 45°	600-0500	601-0500
5 WAY 60°	600-0510	601-0510
6 WAY	600-0600	601-0600
7 WAY	600-0700	601-0700