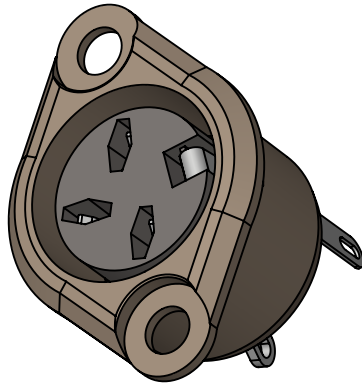
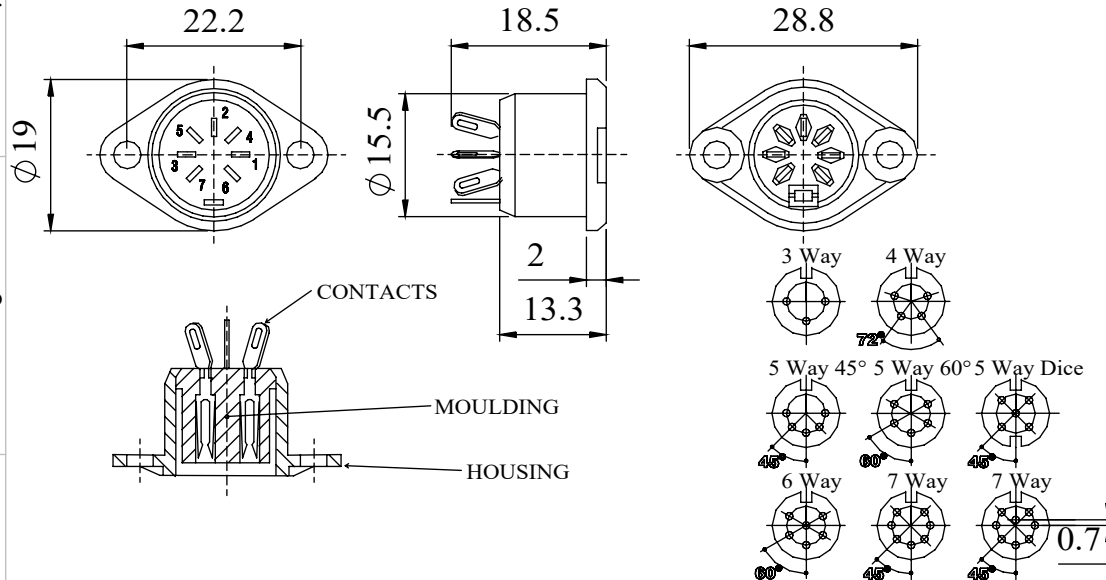


A RANGE OF CHASSIS MOUNTING DIN SOCKETS  
 DESIGNED FOR PANEL MOUNTING VIA TWO FLANGES  
 (DESIGNED FOR USE WITH M3 SCREW NOT SUPPLIED)  
 THESE SOCKETS MATE WITH ALL STANDARD LOCKABLE DIN PLUGS  
 AVAILABLE IN TWO FINISHES, BRIGHT NICKEL AND BLACK CHROME

MANUFACTURED TO DIN 41524, 45322, 45326, 45327 AND 45329

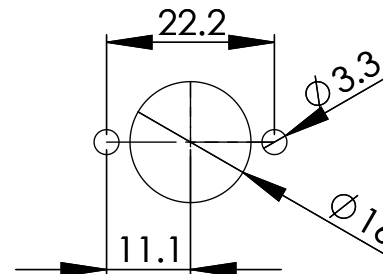


**DIMENSIONS**



<b>MATERIALS</b>	
HOUSING	MAZAK
HOUSING FINISH	BRIGHT NICKEL PLATE OR BLACK CHROME
MOULDING	LEXAN 500R
CONTACT MATERIAL	BRASS
CONTACT FINISH	SILVER ON COPPER & ANTI-TARNISH
EARTH TAG MATERIAL	PHOSPHER BRONZE
EARTH TAG FINISH	SILVER ON COPPER & ANTI-TARNISH
<b>ELECTRICAL</b>	
RATED VOLTAGE	34 V AC OR DC
CURRENT RATING	2 Amps
TEST VOLTAGE	500 V r.m.s
INSULATION RESISTANCE	103 MΩ MIN AT 100 V DC
CONTACT RESISTANCE	10mΩ MAX
CAPACITANCE (MATED)	3pF
<b>CLIMATIC</b>	
CLIMATIC CATEGORY	25/070/21
TEMPERATURE RANGE	-25°C TO +70°C
DAMP HEAT, STEADY STATE	21 DAYS

**PANEL CUT-OUT**



TYPE	PART NUMBER	
	BRIGHT NICKEL	BLACK
3 WAY	630-0300	631-0300
4 WAY	630-0400	631-0400
5 WAY 45°	630-0500	631-0500
5 WAY 60°	630-0510	631-0510
5 WAY DICE	630-0520	631-0520
6 WAY	630-0600	631-0600
7 WAY	630-0700	631-0700
8 WAY	630-0800	631-0800

**PROPRIETARY AND CONFIDENTIAL:**  
 THE INFORMATION CONTAINED IN THIS DRAWING IS THE SOLE PROPERTY OF ALPHA 3 MANUFACTURING. ANY REPRODUCTION IN PART OR AS A WHOLE WITHOUT THE WRITTEN PERMISSION OF ALPHA 3 MANUFACTURING IS PROHIBITED.  
 DEM Manufacturing is a division of Alpha 3 Manufacturing LTD  
 DEM Manufacturing, Deltron Emcon House, Hargreaves Way,  
 Sawcliffe Ind. Park, Scunthorpe, North Lincolnshire, DN15 8RF, UK

UNLESS OTHERWISE SPECIFIED DIMENSIONS ARE IN MILLIMETRES LINEAR & RADIAL TOLERANCE:  
**GENERAL SPECIFICATION ONLY**

**IF IN DOUBT ASK! DO NOT SCALE DRAWING!**  
 FINISH SEE NOTES  
 MATERIAL SEE NOTES  
 THE FINISHED PRODUCT SHOULD BE CLEAN AND FREE FROM ALL LIQUIDS AND DEBRIS. SURFACES SHOULD BE OF UNIFORM APPEARANCE FREE FROM SHARP EDGES, BURRS AND CORROSION

THIRD ANGLE PROJECTION

AUTHOR	AY	TITLE	GENERAL SPECIFICATION	
EDITOR	DT	FILE	630- 631 SERIES	
APPROVER	DT	PART	CHASSIS MOUNTING DIN SOCKET	
SHEET 1 OF 1	SCALE 1:1	ISSUE/REV.	003	EDIT DATE 07/09/2021
A4	RELEASED	RELEASE DATE	07/03/2022	