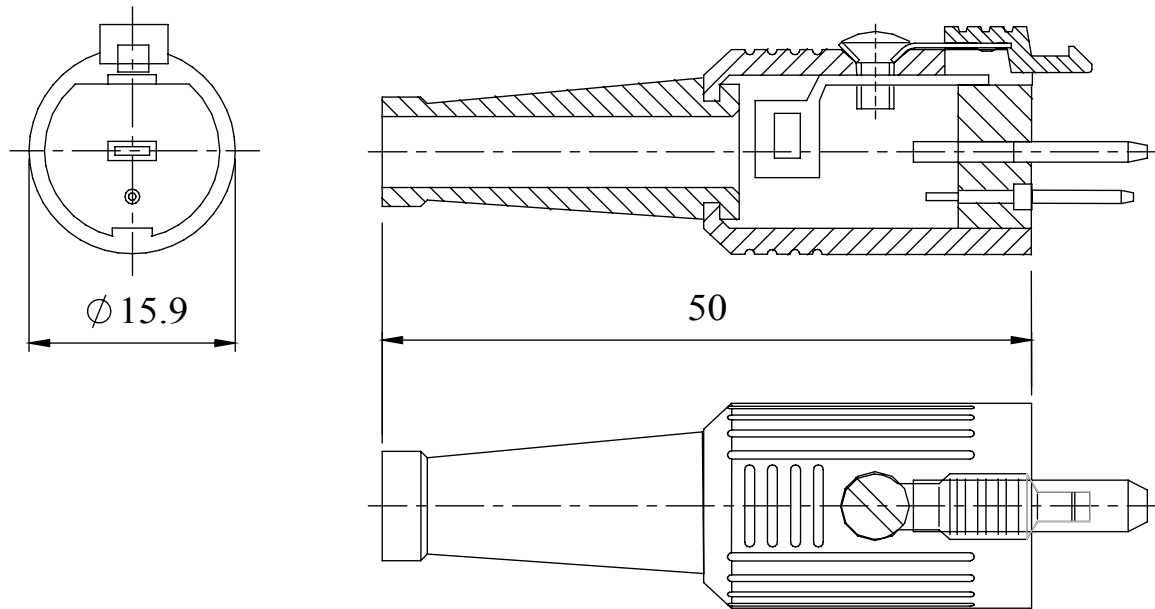


A standard speaker, lockable, line plug connector, with a simple latch-lock mechanism, available in bright nickel finish. A non-lockable version is also available.

MATERIAL HOUSING : Zinc Alloy, bright nickel
 PIN BASE : Nylon
 CONTACTS : Brass, silver plate
 CABLE CLAMP : Plated Mild Steel
 GROMMET : PVC, black

RATED VOLTAGE : 34V
 TEST VOLTAGE : 1000 Vdc
 CURRENT RATING : 4 Amps
 INSULATION RESIST : $10^{11} \Omega$ min @ 100 Vdc
 CONTACT RESIST : $10m \Omega$ max
 CAPACITY (mated) : 3 pF
 TEMP. RANGE : -25°C to +70°C

Dimensions



Tel No. +44(0)1724 273200 Website www.dem-uk.com

PROPRIETARY AND CONFIDENTIAL
 THE INFORMATION CONTAINED IN THIS DRAWING IS THE SOLE PROPERTY OF
 ALPHA 3 MANUFACTURING.
 ANY REPRODUCTION IN PART OR AS A WHOLE WITHOUT THE WRITTEN PERMISSION OF
 ALPHA 3 MANUFACTURING IS PROHIBITED.

UNLESS OTHERWISE SPECIFIED:
 DIMENSIONS ARE IN MILLIMETRES
 LINEAR TOLERANCE:
 NO DECIMAL PLACES $\pm 0.5mm$
 1 DECIMAL PLACE $\pm 0.25mm$
 2 DECIMAL PLACES $\pm 0.125mm$
 ANGULAR TOLERANCE: $\pm 1^\circ$

FINISH LOCKABLE -
 DEBURR AND BREAK SHARP EDGES -
 IF IN DOUBT ASK
 DO NOT SCALE DRAWING

MATERIAL SEE NOTE

DRAWN BY SPB
 APPROVED BY WC
 THIRD ANGLE PROJECTION

SHEET 1 OF 1
 SCALE 1:1
 A4

TITLE GENERAL SPECIFICATION
 2 WAY SPEAKER
 LINE PLUG
 DRAWING NO. 638-0000
 ISSUE 02
 Release



DEM Manufacturing, Deltron Emcon House
 Hargreaves Way, Sawcliffe Ind. Park,
 Scunthorpe, North Lincolnshire, DN15 8RF, UK