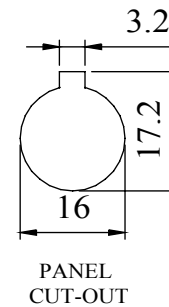
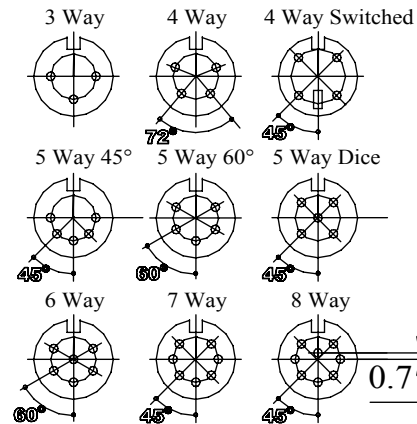
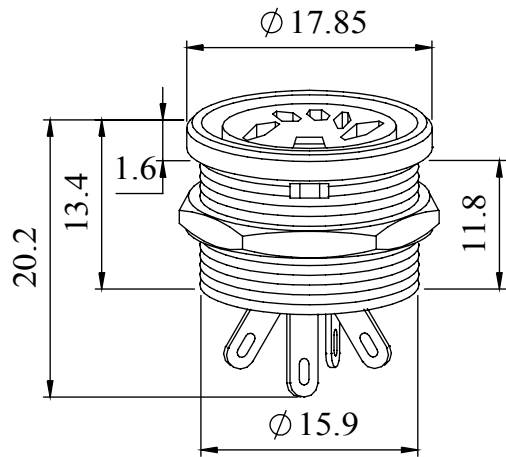


A range of professional chassis mounting sockets, designed for panel mounting via a single hexagonal turned brass nut. These sockets incorporate an anti-rotational locating spigot, and mate with all standard lockable plugs.

| Materials | |
|-------------------------|-------------------------|
| Housing | Brass Nickel Plated |
| Moulding | Lexan 500R |
| Contacts | Brass Silver Plated |
| Nut | Brass Nickel Plated |
| Electrical | |
| Rated Voltage | 34 V a.c. or d.c. |
| Current Rating | 2.A |
| Test Voltage | 500 V r.m.s. |
| Insulation Resistance | 103 MΩ min at 100 V d.c |
| Contact Resistance | 10 mΩ max |
| Capacitance (mated) | 3pF |
| Climatic | |
| Climatic category | 25/070/21 |
| Temperature Range | -25°C to +70°C |
| Damp heat, steady state | 21 days |

Dimensions



| Type | Deltron No |
|------------|------------|
| 3 Way | 650-0300 |
| 4 Way | 650-0400 |
| 5 Way 45° | 650-0500 |
| 5 Way 60° | 650-0510 |
| 5 Way Dice | 650-0520 |
| 6 Way | 650-0600 |
| 7 Way | 650-0700 |
| 8 Way | 650-0800 |

RoHS
2002/95/EC

Compliant

Tel No. +44(0)1724 273200 Website www.dem-uk.com

PROPRIETARY AND CONFIDENTIAL
THE INFORMATION CONTAINED IN THIS DRAWING IS THE SOLE PROPERTY OF
ALPHA 3 MANUFACTURING.
ANY REPRODUCTION IN PART OR AS A WHOLE WITHOUT THE WRITTEN PERMISSION OF
ALPHA 3 MANUFACTURING IS PROHIBITED.

UNLESS OTHERWISE SPECIFIED:
DIMENSIONS ARE IN MILLIMETRES
LINEAR TOLERANCE:
NO DECIMAL PLACES ±0.5mm
1 DECIMAL PLACE ±0.25mm
2 DECIMAL PLACES ±0.125mm
ANGULAR TOLERANCE: ±1°

DEM Manufacturing, Deltron Emcon House
Hargreaves Way, Sawcliffe Ind. Park,
Scunthorpe, North Lincolnshire, DN15 8RF, UK

FINISH PROFESSIONAL
CIRCULAR CHASSIS
SOCKET BLACK
IF IN DOUBT ASK
DO NOT SCALE DRAWING

DEBURR AND BREAK
SHARP EDGES

DRAWN BY
APPROVED BY

SPB
WC

TITLE GENERAL SPECIFICATION

THIRD ANGLE PROJECTION

SHEET 1 OF 1

650 SERIES
CHASSIS SOCKET

SCALE 1:1

DRAWING NO. 650 SERIES

A4

ISSUE **07**

Release

