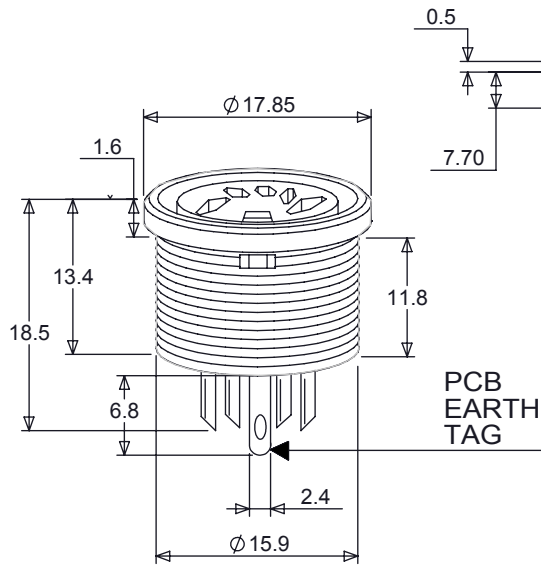


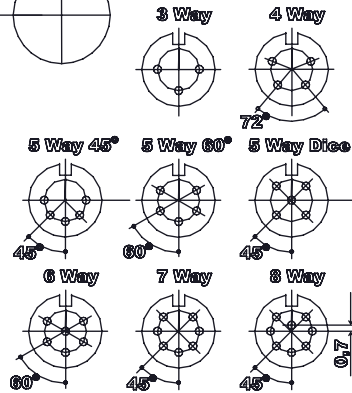
A FULLY SCREENED ROBUST RANGE OF DIN CONNECTORS FOR USE IN INSTRUMENTATION AND AUDIO APPLICATIONS. AVAILABLE IN TWO FINISHES; BRIGHT NICKEL AND BLACK CHROME. LINE SOCKET MATES WITH ALL STANDARD AND LOCKABLE DIN PLUGS

MANUFACTURED TO DIN 41524,45322,45326,45327,AND 45329.

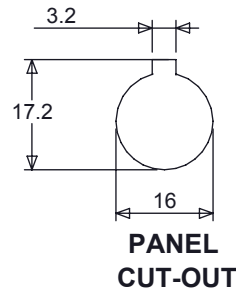
### DIMENSIONS



PLEASE ALLOW FOR EARTH TAG IN PCB FOOT PRINT



PCB DRILLING ALL PIN HOLES Ø 1.20mm ON A 7 P.C.D

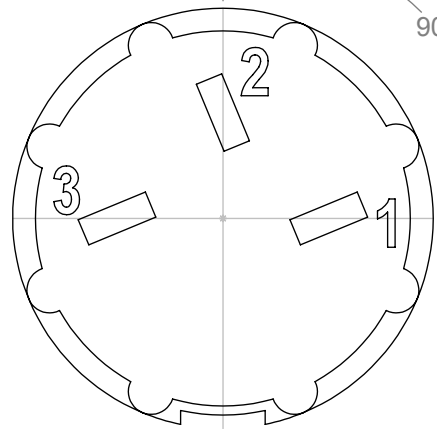


MATERIALS	
HOUSING	BRASS
HOUSING FINISH	BRIGHT NICKEL PLATED OR BLACK CHROME
MOULDING	LEXAN 500R
CONTACTS	BRASS CZ121, SILVER PLATED
EARTH TAG	MATERIAL: PHOSPHOR BRONZE 0.25 THICK, SILVER PLATE
ELECTRICAL	
RATED VOLTAGE	34V A/C or D/C
CURRENT RATING	2 AMP
TEST VOLTAGE	500V r.m.s
INSULATION RESISTANCE	103 MΩ MIN AT 100V DC
CONTACT RESISTANCE	10mΩ MAX
CAPACITANCE (MATED)	3 pF
RECOMMENDED CABLE SIZE	MAX CABLE 6mm Ø MAX CONDUCTOR 1mm Ø
CLIMATIC	
CLIMATIC CATEGORY	25/070/21
TEMPERATURE RANGE	-25 °C TO +70 °C
DAMP HEAT, STEADY STATE	21 DAYS

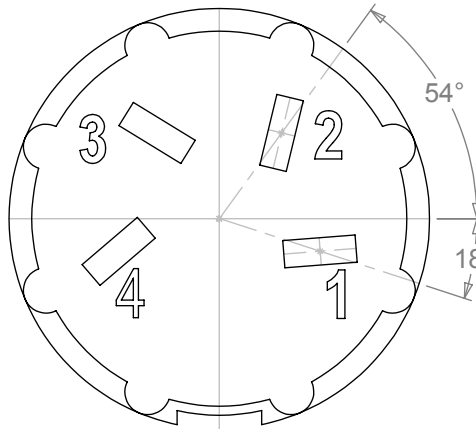
TYPE	PART NUMBER	
	NICKEL	BLACK
3 WAY	690-0300	691-0300
4 WAY	690-0400	691-0400
5 WAY 45°	690-0500	691-0500
5 WAY 60°	690-0510	691-0510
5 WAY DICE	690-0520	691-0520
6 WAY	690-0600	691-0600
7 WAY	690-0700	691-0700
8 WAY	690-0800	691-0800
HEX NUT	650-003-3	N/A

REV 002 001	DATE 26 Apr 2018 23 Apr 2018	ECN NUMBER C03817 C03817	ECR COMMENT ADD DESCRIPTION TO WEB SPEC	3	4	5	6	7
-------------------	------------------------------------	--------------------------------	--	---	---	---	---	---

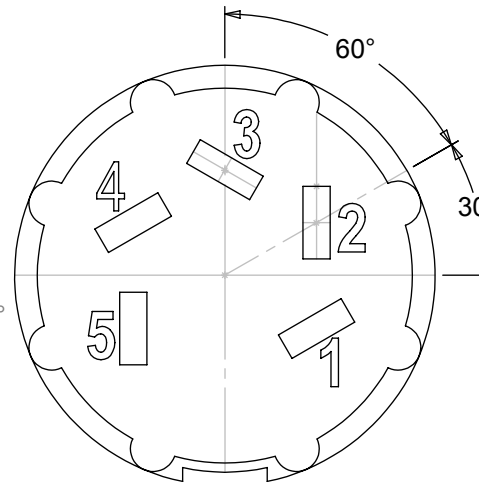
**PIN VARIATIONS USED IN: 593 / 630 / 631 / 650 / 651 / 690 / 691 - DIN SOCKET CONNECTORS**



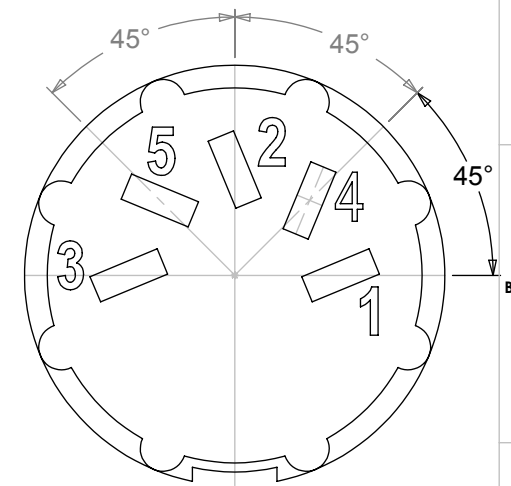
3 WAY



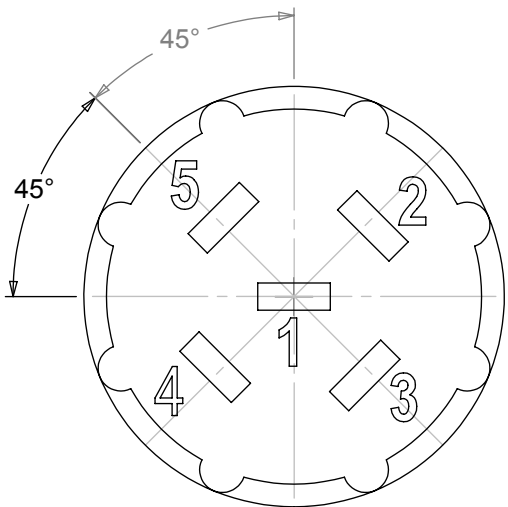
4 WAY



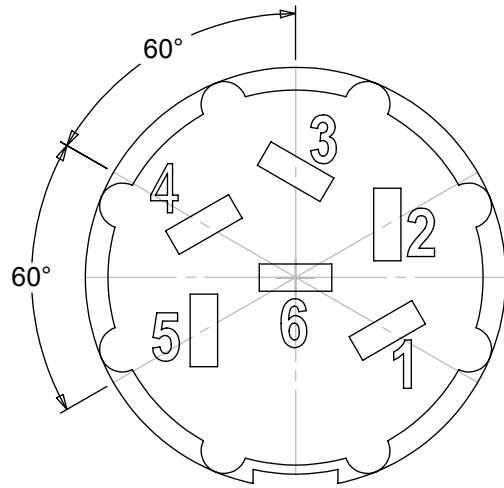
5 WAY 60°



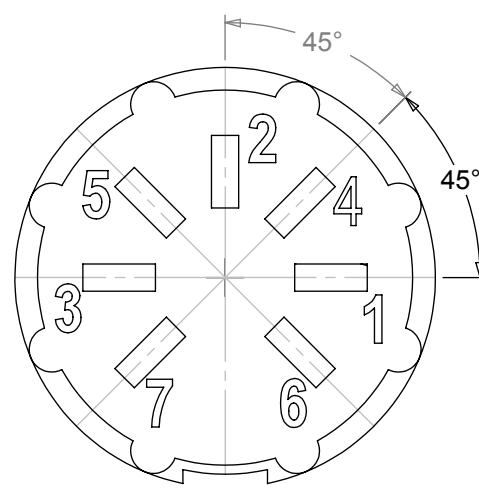
5 WAY 45°



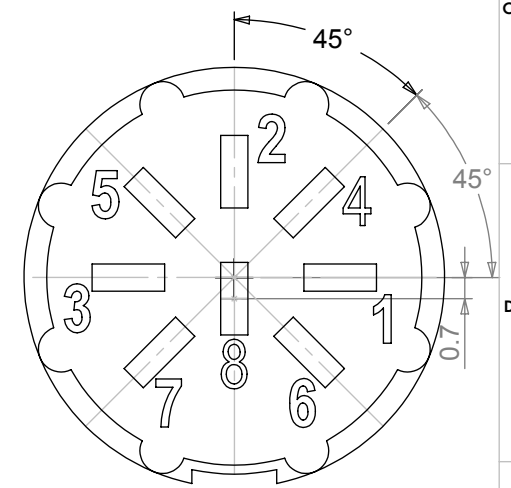
5 WAY DICE



6 WAY



7 WAY



8 WAY

**MANUFACTURED TO DIN STANDARD 41524, 45322, 45326, 45327 AND 45329**

**PROPRIETARY AND CONFIDENTIAL:**  
 THE INFORMATION CONTAINED IN THIS DRAWING IS THE SOLE PROPERTY OF ALPHA 3 MANUFACTURING. ANY REPRODUCTION IN PART OR AS A WHOLE WITHOUT THE WRITTEN PERMISSION OF ALPHA 3 MANUFACTURING IS PROHIBITED.  
 DEM Manufacturing is a division of Alpha 3 Manufacturing LTD  
 DEM Manufacturing, Deltron Emcon House, Hargreaves Way, Sawcliffe Ind. Park, Scunthorpe, North Lincolnshire, DN15 8RF, UK

UNLESS OTHERWISE SPECIFIED DIMENSIONS ARE IN MILLIMETRES  
 LINEAR & RADIAL TOLERANCE:  
**NO DECIMAL PLACES**  
**1 DECIMAL PLACE**  
**2 DECIMAL PLACES**  
**ANGULAR TOLERANCE:**

**IF IN DOUBT ASK! DO NOT SCALE DRAWING!**  
 FINISH: CLEAN  
 MATERIAL: REFER TO INDIVIDUAL RANGES  
 THE FINISHED PRODUCT SHOULD BE CLEAN AND FREE FROM ALL LIQUIDS AND DEBRIS. SURFACES SHOULD BE OF UNIFORM APPEARANCE FREE FROM SHARP EDGES, BURRS AND CORROSION

AUTHOR: DT  
 EDITOR: DT  
 APPROVER: WC  
 THIRD ANGLE PROJECTION

DT	TITLE: PIN ORIENTATIONS	
DT	FILE: DIN SOCKET PIN ORIENTATION	
WC	PART: DIN SOCKET BASES	
SHEET 1 OF 1	ISSUE/REV. 002	VERSION 13
SCALE 2:1 A4	RELEASED	EDIT DATE 26 Apr 2018