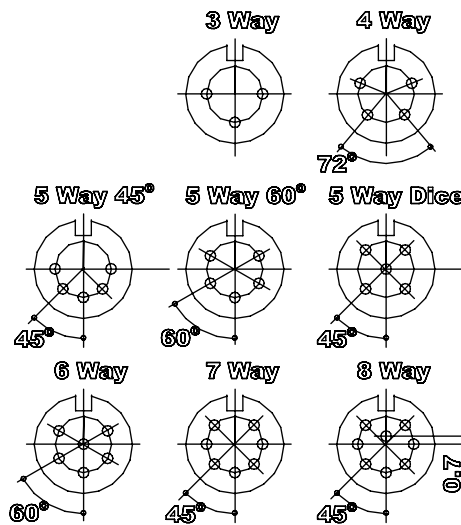
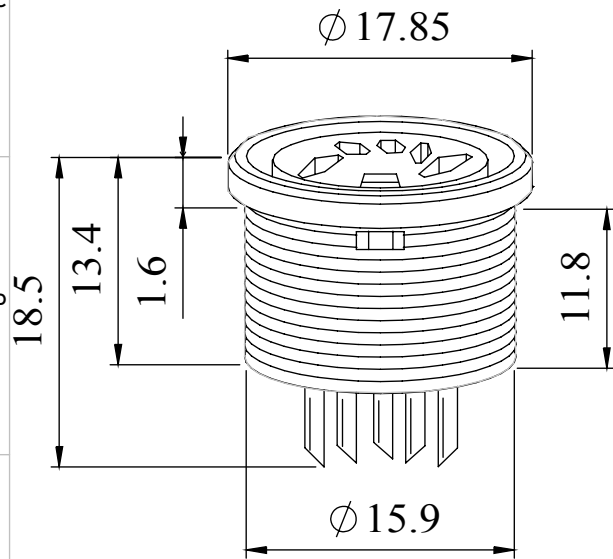


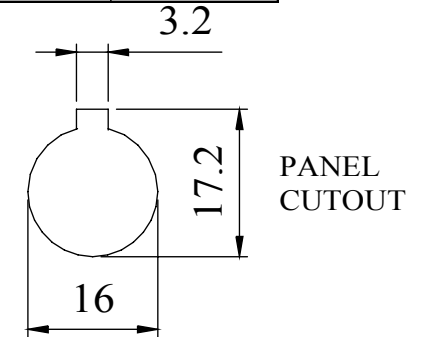
A range of professional chassis mounting sockets, with straight PCB pins, designed for panel mounting. These sockets incorporate an anti-rotational locating spigot, and mate with all standard lockable plugs. A hexagonal nut for securing to the panel is available separately.

RoHS
2002/95/EC
Compliant

Dimensions



TYPE	NUMBER
3 Way	691-0300
4 Way	691-0400
5 Way 45°	691-0500
5 Way 60°	691-0510
5 Way Dice	691-0520
6 Way	691-0600
7 Way	691-0700
8 Way	691-0800
Hex Nut	650-003-3



Materials	
Housing	Brass Sprayed With Black Paint
Moulding	Lexan 500R
Contacts	Brass Silver Plated
Electrical	
Rated Voltage	34 V a.c. or d.c.
Current Rating	2.A
Test Voltage	500 V r.m.s.
Insulation Resistance	103 MΩ min at 100 V d.c
Contact Resistance	10 mΩ max
Capacitance (mated)	3pF
Climatic	
Climatic category	25/070/21
Temperature Range	-25°C to +70°C
Damp heat, steady state	21 days

PCB DRILLING - ALL PIN HOLES ϕ 1.20mm ON A 7 P.C.D

Tel No. +44(0)1724 273200 Website www.dem-uk.com

PROPRIETARY AND CONFIDENTIAL
THE INFORMATION CONTAINED IN THIS DRAWING IS THE SOLE PROPERTY OF
ALPHA 3 MANUFACTURING.
ANY REPRODUCTION IN PART OR AS A WHOLE WITHOUT THE WRITTEN PERMISSION OF
ALPHA 3 MANUFACTURING IS PROHIBITED.

UNLESS OTHERWISE SPECIFIED:
DIMENSIONS ARE IN MILLIMETRES
LINEAR TOLERANCE:
NO DECIMAL PLACES $\pm 0.5\text{mm}$
1 DECIMAL PLACE $\pm 0.25\text{mm}$
2 DECIMAL PLACES $\pm 0.125\text{mm}$
ANGULAR TOLERANCE: $\pm 1^\circ$

FINISH PROFESSIONAL
CIRCULAR PCB
MOUNTING SOCKET (BLACK)
IF IN DOUBT ASK
DO NOT SCALE DRAWING

DEBURR AND BREAK
SHARP EDGES

DRAWN BY
APPROVED BY
THIRD ANGLE PROJECTION

SPB
WC
SHEET 1 OF 1
SCALE 1:1
A4

TITLE GENERAL SPECIFICATION
PCB MOUNTING
CHASSIS SOCKET
DRAWING NO. 691 SERIES
ISSUE 04
Release



DEM Manufacturing, Deltron Emcon House
Hargreaves Way, Sawcliffe Ind. Park,
Scunthorpe, North Lincolnshire, DN15 8RF, UK