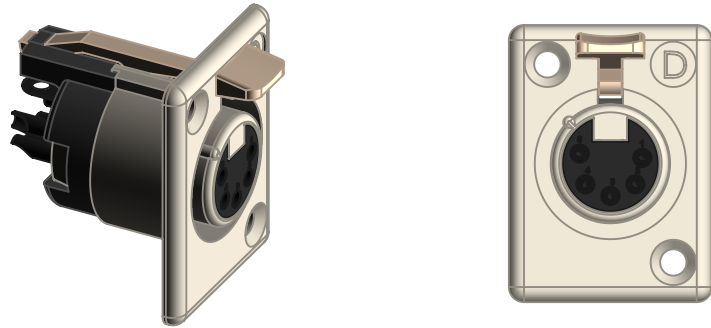


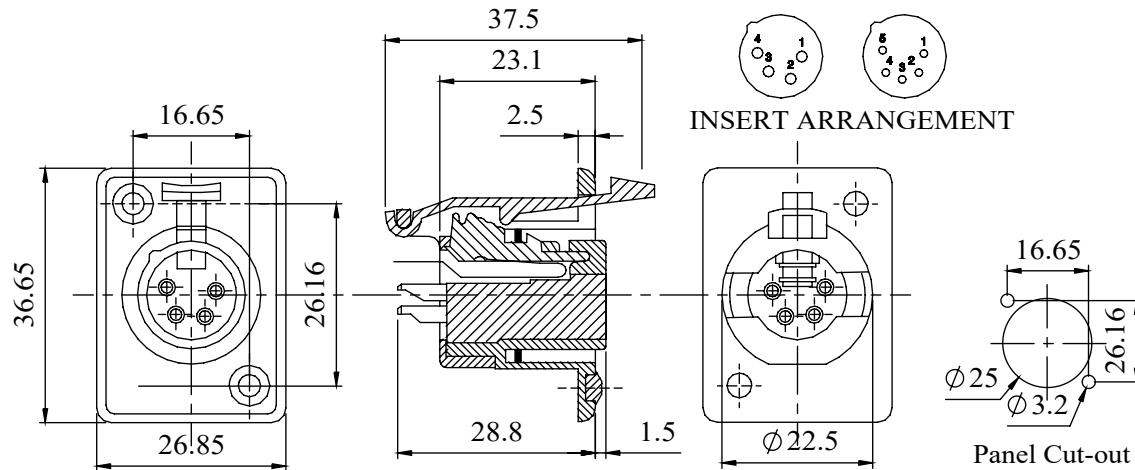
A range of panel mounting audio and video connectors

Features include.

- . A simple press down release clip
- . Generous solder buckets for easy cable assembly
- . Available in two finishes satin nickel or Black
- . Available with Silver or Gold contacts



DIMENSIONS



Mechanical Properties

	Material	Finish
Housing	Zinc high pressure die-casting	Satin nickel or black chrome
Contact base	Valox DR48	Black
Contacts	Brass	Silver or Gold Plated
Collar	Valox DR48	Black
Inner Latch	Zinc high pressure die-casting	Bright Nickel plated
Chuck	Acetal (UL 94 HB)	Black
Earth Tag Spring	Spring Steel	Silver Plated
Sealing Ring	PVC	Black
Housing Latch	Zinc high pressure die-casting	Bright Nickel plated

Electrical Properties

Rated Voltage	50 V a.c	
Test Voltage	1000 V r.m.s	
Insulation Resistance	103 MΩ	
After Damp Heat	500MΩ	
Contact Resistance	10mΩ max	
Current rating at 40 °C	4 pin, 10 amp	5 pin, 7.5 amp
Current rating at 70 °C	4 pin, 5 amp	5 PIN, 3 amp
Terminal Wire Size	4 pin 1.5 mm ² / 16 AWG	5 pin 1.0 mm ² / 18 AWG

Climatic Properties

Climatic category	25/070/04	
Temperature Range	-25 °C to +70 °C	
Damp heat, Steady state	4 days	

DELTRON PART NUMBERS	Silver contacts		Gold contacts	
	Nickel	Black	Nickel	Black
4 WAY	702-0400	710-0400	OBS	714-0400
5 WAY	702-0500	710-0500	706-0500	714-0500

PROPRIETARY AND CONFIDENTIAL:

THE INFORMATION CONTAINED IN THIS DRAWING IS THE SOLE PROPERTY OF ALPHA 3 MANUFACTURING. ANY REPRODUCTION IN PART OR AS A WHOLE WITHOUT THE WRITTEN PERMISSION OF ALPHA 3 MANUFACTURING IS PROHIBITED.

DEM Manufacturing is a division of Alpha 3 Manufacturing LTD
DEM Manufacturing, Deltron Emcon House, Hargreaves Way,
Sawcliffe Ind. Park, Scunthorpe, North Lincolnshire, DN15 8RF, UK

UNLESS OTHERWISE SPECIFIED DIMENSIONS ARE IN MILLIMETRES
LINEAR & RADIAL TOLERANCE:

GENERAL SPECIFICATION ONLY

IF IN DOUBT ASK! DO NOT SCALE DRAWING!

FINISH	SEE NOTES
MATERIAL	SEE NOTES
THE FINISHED PRODUCT SHOULD BE CLEAN AND FREE FROM ALL LIQUIDS AND DEBRIS. SURFACES SHOULD BE OF UNIFORM APPEARANCE FREE FROM SHARP EDGES, BURRS AND CORROSION	

AUTHOR	SB	TITLE	GENERAL SPECIFICATION	
EDITOR	DT	FILE	702-706-710-714 4&5WAY	
APPROVER	DT	PART	4 & 5 WAY PANEL SOCKET	
THIRD ANGLE PROJECTION	SHEET 1 OF 1	ISSUE/REV.	009	EDIT DATE 24/02/2021
	SCALE 1:1	A4	RELEASED	RELEASE DATE 07/09/2021