

IP66 Polycarbonate Enclosures

240 x 120 x 100mm

Manufactured from high-grade polycarbonate, this series is lightweight, with good UV resistance and a wide operating temperature, making them ideal for an array of applications, including outdoor placement.

There are 22 sizes to select from, with self-tapping stand-offs and a quick-release fastener which is simply pressed in and locked into the holes in the cover.

Accessories such as mounting plates, mounting rails or terminal blocks are available.



Features

- Polycarbonate (ABS also available)
- Rated IP66
- Quick release fastener
- Self-tapping stand-offs
- Optional transparent lid

Specification

- Foamed PUR seal (-40°C to +100°C)
- Self-locking, stainless steel fastener
- Temperature range: -40°C to +120°C
- Light Grey (RAL 7035)

Suitable Applications

- Industrial automation - switches, membrane key pads & LCD displays
- Sensors
- Lighting
- Medical apparatus and more

Bespoke Machining

- We can machine, finish, and populate your enclosures in preparation for their installation.
- We will adhere to your timescales and budget
 - You will receive engineering support
 - We can source all relevant components

DEM Manufacturing
Deltron Emcon House
Hargreaves Way
Sawcliffe Industrial Park
Scunthorpe
DN15 8RF



+44 (0)1724 273206

sales@dem-uk.com

www.dem-uk.com/deltron-enclosures

IP66 Polycarbonate Enclosures

240 x 120 x 100mm

What sizes are available in this range?

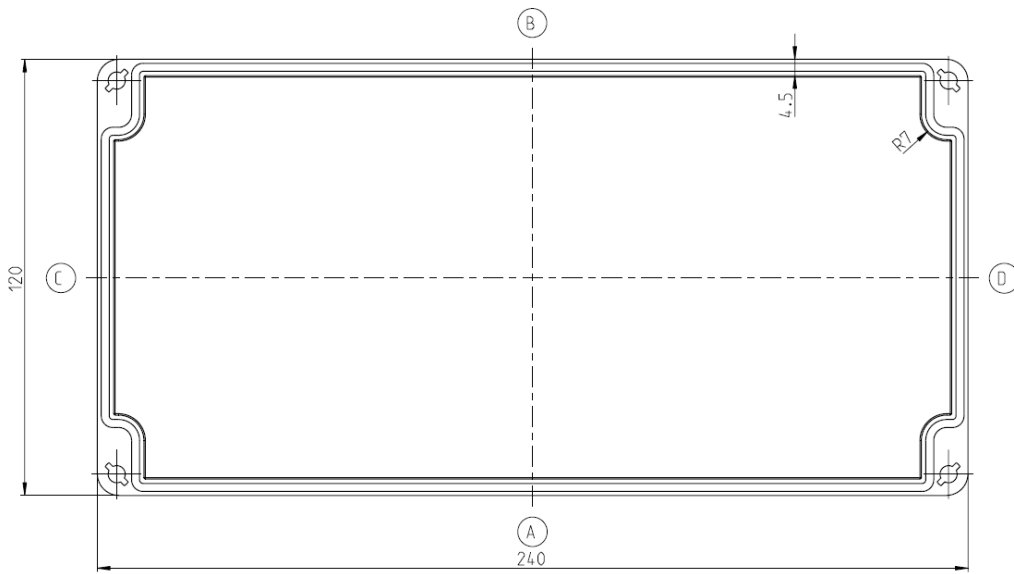
| Size (mm) (L x W x H) | Polycarbonate Part Number | Size (mm) (L x W x H) | Polycarbonate Part Number |
|--------------------------|------------------------------|--------------------------|------------------------------|
| 52 x 50 x 35 | 477-050503A-66 | 200 x 120 x 75 | 477-201207A-66 |
| 65 x 50 x 35 | 477-060503A-66 | 200 x 120 x 90 | 477-201209A-66 |
| 82 x 80 x 55 | 477-080805A-66 | 240 x 120 x 100 | 477-241210A-66 |
| 82 x 80 x 85 | 477-080808A-66 | 200 x 150 x 75 | 477-201507A-66 |
| 120 x 80 x 55 | 477-120805A-66 | 240 x 160 x 90 | 477-241609A-66 |
| 120 x 80 x 85 | 477-120808A-66 | 240 x 160 x 120 | 477-241612A-66 |
| 160 x 80 x 55 | 477-160805A-66 | 300 x 230 x 85 | 477-302308A-66 |
| 160 x 80 x 85 | 477-160808A-66 | 360 x 200 x 150 | 477-360215A-66 |
| 122 x 120 x 55 | 477-121205A-66 | 300 x 230 x 110 | 477-302311A-66 |
| 122 x 120 x 85 | 477-121208A-66 | 250 x 160 x 90 | 477-251609A-66 |
| 160 x 120 x 90 | 477-161209A-66 | 250 x 160 x 120 | 477-251612A-66 |

What are the Polycarbonate material properties?

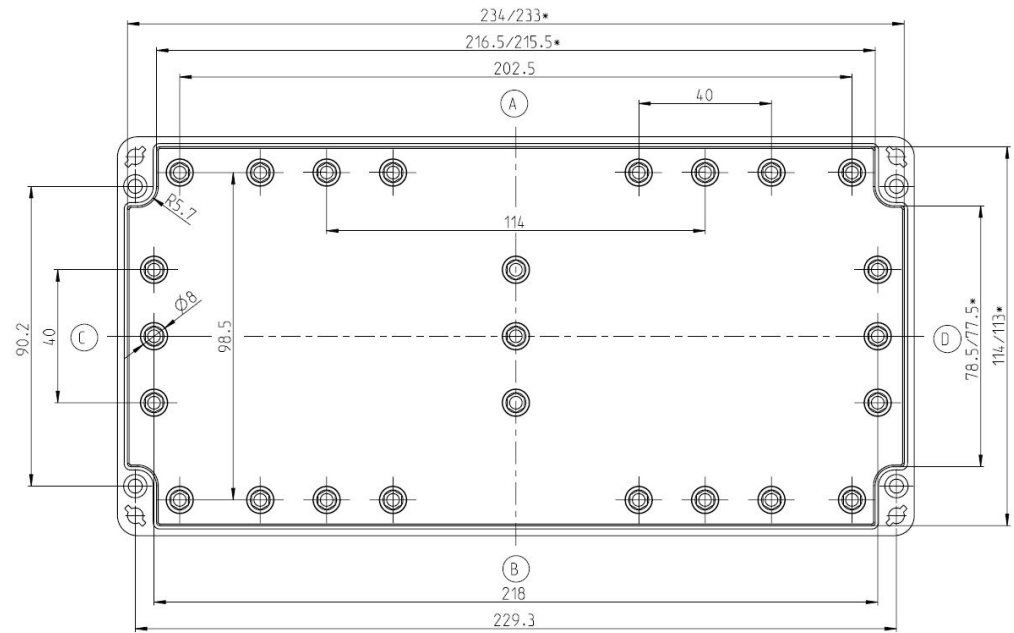
| Material Properties | Unit | Polycarbonate |
|--------------------------------------|--------------------|--------------------|
| Density | g/cm ³ | 1.2 |
| Impact Resistance | mJ/mm ² | 65 |
| Toughness | mJ/mm ² | 20 |
| Tensile Strength | N/mm ² | 65 |
| Elongation of break | % | 90 |
| Modulus of elasticity (bend test) | N/mm ² | 23000 |
| Flexural stress at given strain | N/mm ² | 95 |
| Flammability | Class | V 2 |
| Volume Resistivity | Ohms x cm | 10 ¹⁵ |
| Surface Resistance | Ohms x cm | ≥ 10 ¹⁵ |
| Dielectric Strength | kV/mm | 25-40 |
| Thermal Conductivity (20°C) | W/mK | 0.21 |

Polycarbonate

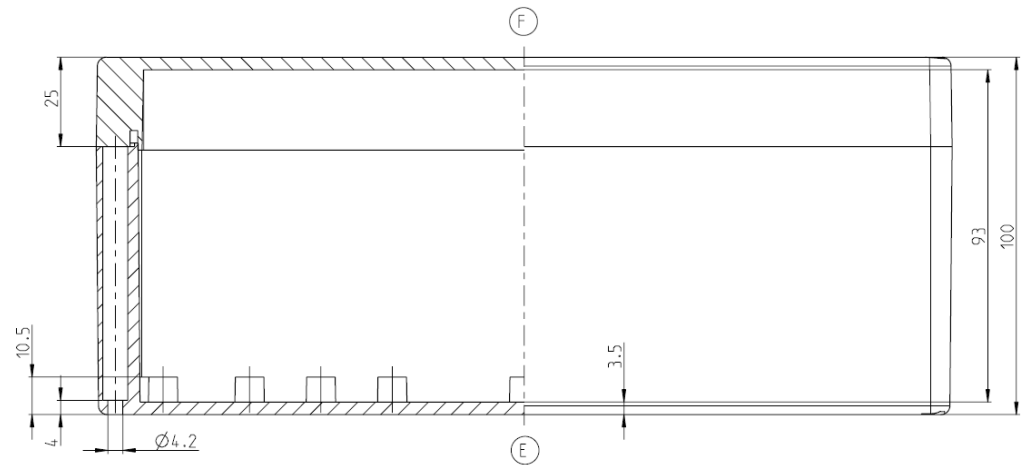
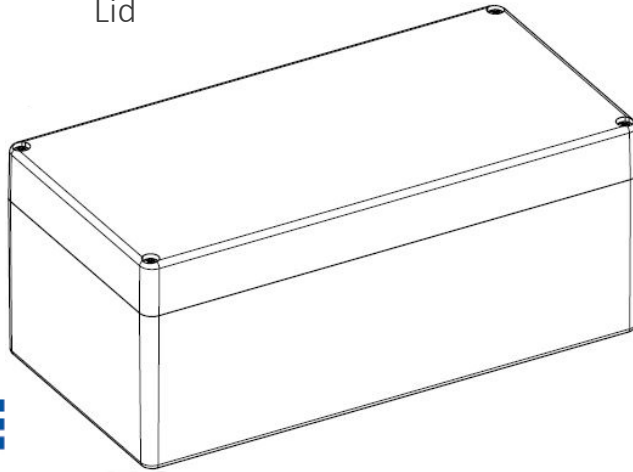
- Lightweight
- High impact resistance
- Wide operating temperature
- Good UV resistance
- Aesthetically pleasing
- Cost effective material for placement in harsh environments when combined with ingress protection.
- UL available upon request



Lid



Base



| | |
|-------------|-------------------|
| Part Number | 477-241210A-66 |
| Dimensions | 240 x 120 x 100mm |
| Material | Polycarbonate |
| IP Rated | IP66 |
| Finish | Plain |



DEM Manufacturing is a division of Alpha 3 Manufacturing Ltd.

DEM Manufacturing, Deltron Emcon House, Hargreaves Way, Sawcliffe Industrial Park, Scunthorpe, North Lincolnshire, DN15 8RF.

+44 (0)1724 273206
sales@dem-uk.com
www.dem-uk.com

Deltron Enclosures IP66
Polycarbonate
477-241210A-66

Updated:
March 2017