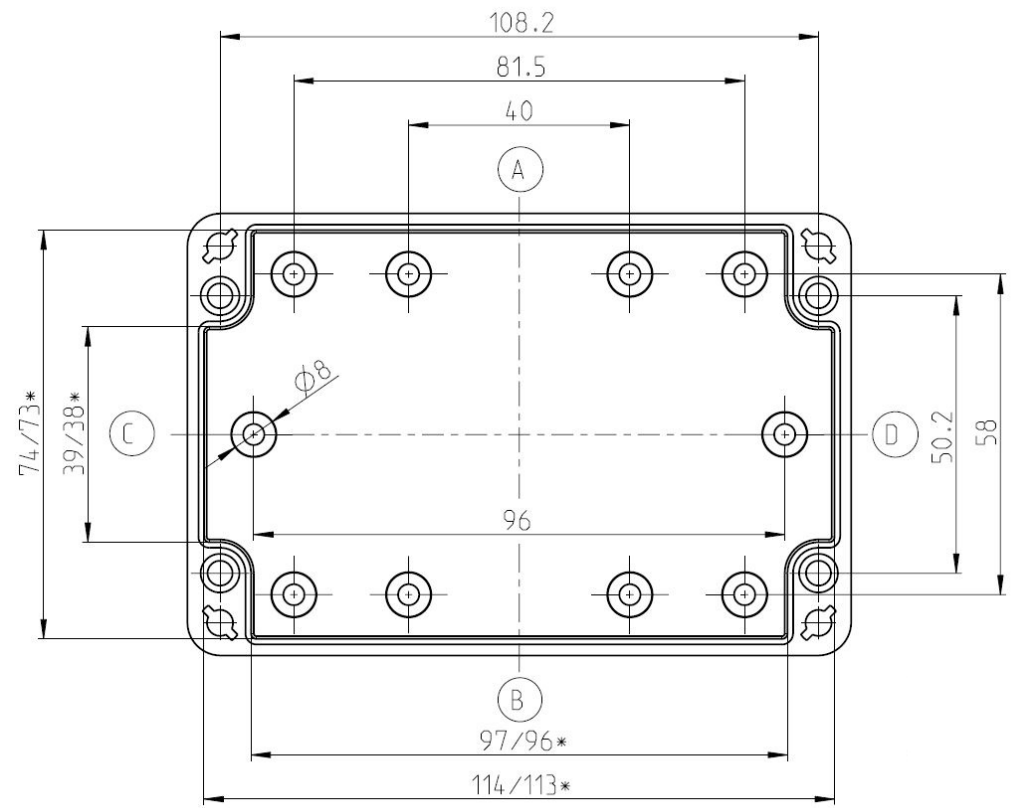
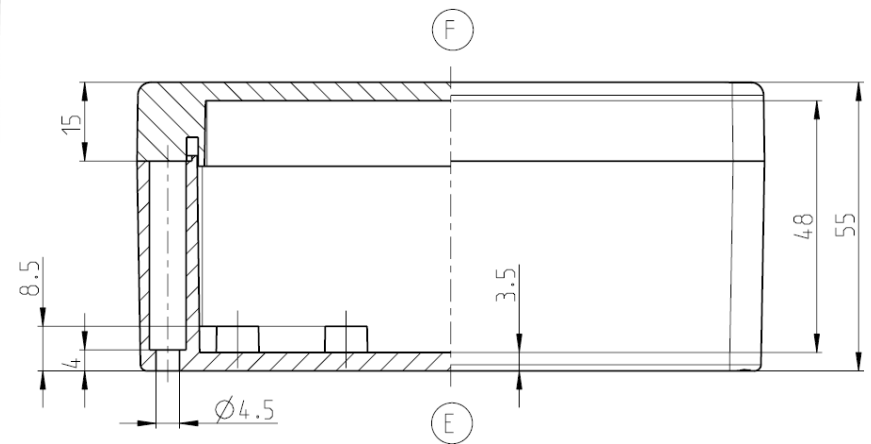
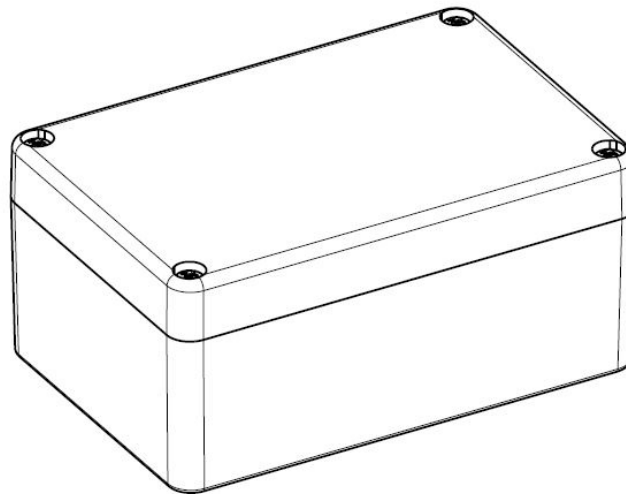


Lid



Base



DELTRON Enclosures

Part Number	478-120805A-66
Dimensions	120 x 80 x 55mm
Material	ABS
IP Rated	IP66
Finish	Plain

DELTRON Components
DELTRON Enclosures
ROXBURGH EMC

b.e.s. DEM
Alpha3 manufacturing

DEM Manufacturing is a division of Alpha 3 Manufacturing Ltd.

DEM Manufacturing, Deltron Emcon House, Hargreaves Way, Sawcliffe Industrial Park, Scunthorpe, North Lincolnshire, DN15 8RF.

+44 (0)1724 273206
sales@dem-uk.com
www.dem-uk.com

Deltron Enclosures IP66
ABS
478-120805A-66

Updated:
March 2017