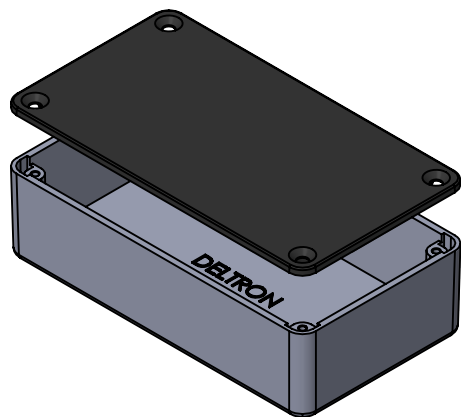
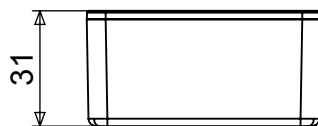


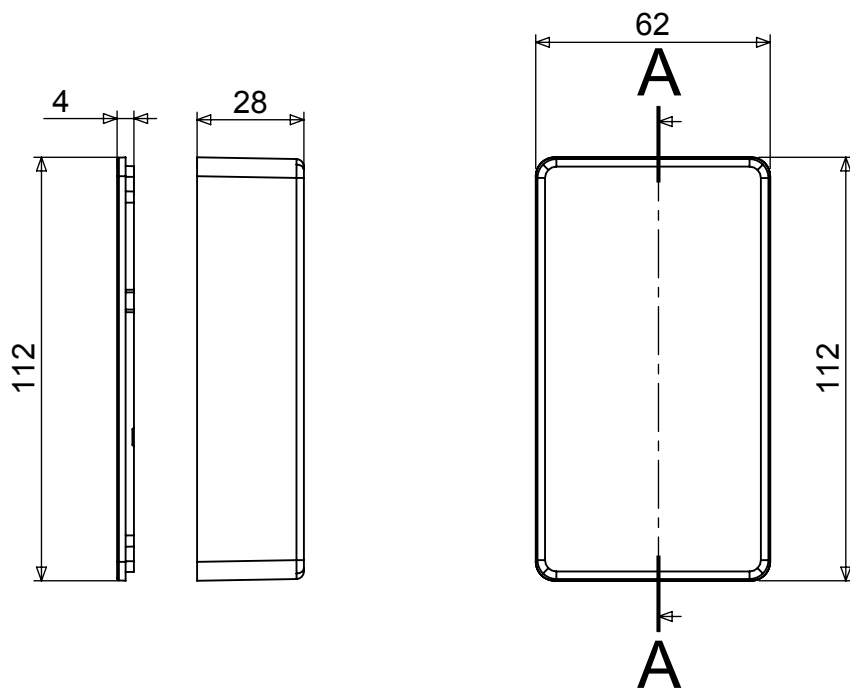
REV	DATE	ECN NUMBER	ECR COMMENT
003	02 Jan 2018	C03810	MODEL CORRECTED OLD PART ARCHIVED
002	22 Jun 2017	C03652	



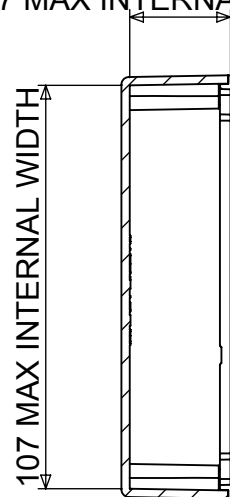
- ABS ENCLOSURE**
- INJECTION MOULDED ENCLOSURE
  - DIMENSIONS 112 X 62 X 31
  - IP54 RATED
  - LIGHTLY TEXTURED MATT FINISH
  - ROHS AND REACH COMPLIANT
  - THE LID IS SECURED BY SELF-TAPPING SCREWS
  - EASILY MACHINED



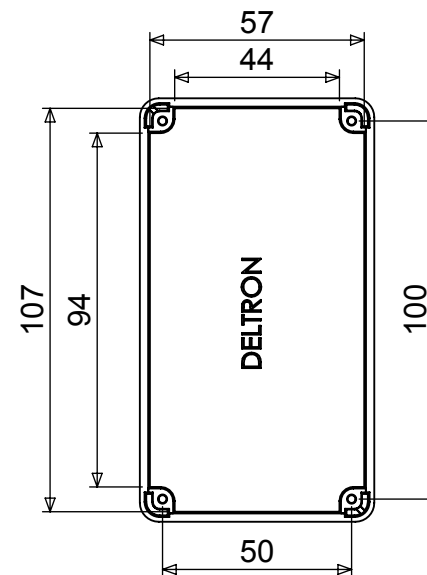
PART NUMBER	COLOUR
479-0020 -0	CLEAR
479-0020 -1	BLACK
479-0020 -2	BLUE
479-0020 -3	BROWN
479-0020 -4	GREEN
479-0020 -5	RED
479-0020 -6	WHITE
479-0020 -7	YELLOW
479-0020 -8	PURPLE
479-0020 -9	GREY
479-0020 -10	ORANGE
479-0020 -11	CREAM



27 MAX INTERNAL HEIGHT



SECTION A-A  
SCALE 1 : 2



**OPTIONAL EXTRAS**

- STICK ON FEET 12mm ROUND X 4mm DEEP PART NO - FIX173 ALSO AVAILABLE IN ANTI STATIC MATERIAL.

**PROPRIETARY AND CONFIDENTIAL:**  
 THE INFORMATION CONTAINED IN THIS DRAWING IS THE SOLE PROPERTY OF ALPHA 3 MANUFACTURING. ANY REPRODUCTION IN PART OR AS A WHOLE WITHOUT THE WRITTEN PERMISSION OF ALPHA 3 MANUFACTURING IS PROHIBITED.  
 DEM Manufacturing is a division of Alpha 3 Manufacturing LTD  
 DEM Manufacturing, Deltron Emcon House, Hargreaves Way, Sawcliffe Ind. Park, Scunthorpe, North Lincolnshire, DN15 8RF, UK

UNLESS OTHERWISE SPECIFIED DIMENSIONS ARE IN MILLIMETRES  
 LINEAR & RADIAL TOLERANCE:  
**NO DECIMAL PLACES**  
**1 DECIMAL PLACE**  
**2 DECIMAL PLACES**  
**ANGULAR TOLERANCE:**

IF IN DOUBT ASK! DO NOT SCALE DRAWING!	
FINISH	LIGHTLY TEXTURED / MATT
MATERIAL	ABS
THE FINISHED PRODUCT SHOULD BE CLEAN AND FREE FROM ALL LIQUIDS AND DEBRIS. SURFACES SHOULD BE OF UNIFORM APPEARANCE FREE FROM SHARP EDGES, BURRS AND CORROSION	

AUTHOR	AY	TITLE	ABS 479-0020 ENCL'
EDITOR	AY	FILE	479-0020 SPECIFICATION
APPROVER	DT	PART	BOX & LID ASSEMBLY
THIRD ANGLE PROJECTION	SHEET 1 OF 1	ISSUE/REV.	003
SCALE 1:1.5	A4	RELEASED	VERSION 21
		EDIT DATE	02 Jan 2018