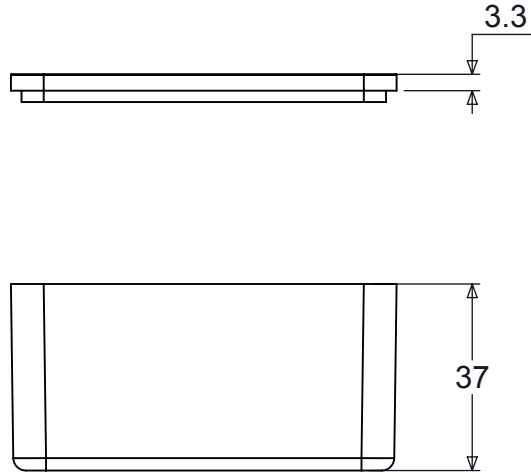
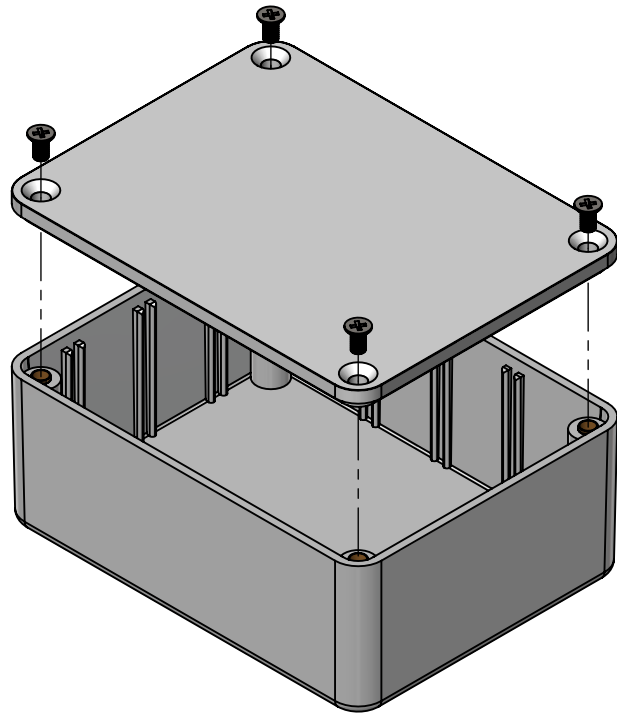


| | | | |
|-----|-------------|------------|---------------|
| REV | DATE | ECN NUMBER | ECR COMMENT |
| 002 | 21 Jun 2017 | C03653 | UPDATE BORDER |

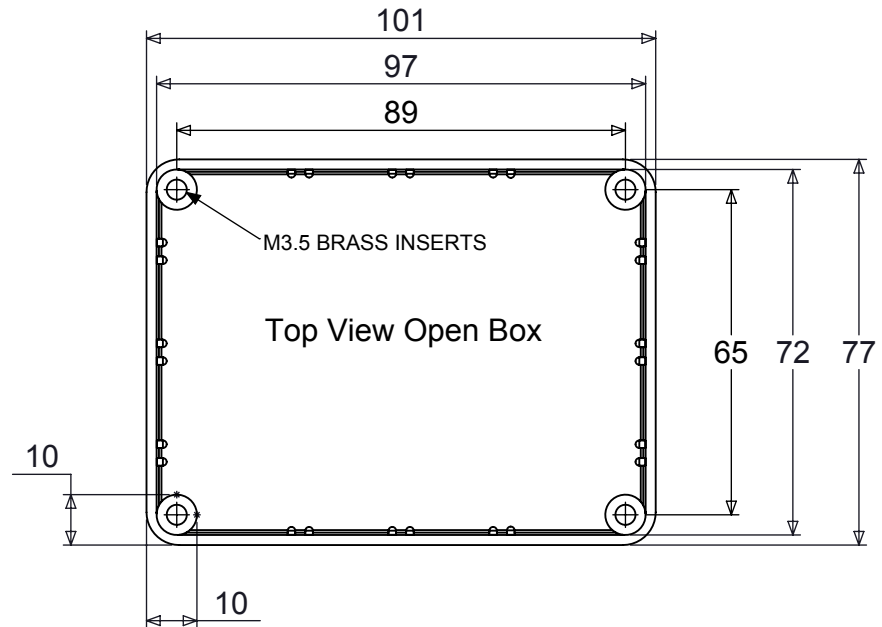


| PART NUMBER | COLOUR |
|-------------|--------|
| 479-0160-0 | CLEAR |
| 479-0160-1 | BLACK |
| 479-0160-2 | BLUE |
| 479-0160-3 | BROWN |
| 479-0160-4 | GREEN |
| 479-0160-5 | RED |
| 479-0160-6 | WHITE |
| 479-0160-7 | YELLOW |
| 479-0160-8 | PURPLE |
| 479-0160-9 | GREY |
| 479-0160-10 | ORANGE |
| 479-0160-11 | CREAM |

- INJECTION MOULDED ENCLOSURE
- DIMENSIONS 101 X 77 X 40
- IMPACT RESISTANT ABS
- IP54 RATED
- ROHS & REACH COMPLIANT
- SMOOTH GLOSSY SURFACE FINISH
- THE LID IS SECURED WITH FOUR M3.5 SCREWS
- INTO BRASS INSERTS
- EASILY MACHINED

OPTIONAL EXTRAS

Stick on feet 12mm round x 4mm deep part no - FIX173
Also available in anti static material



PROPRIETARY AND CONFIDENTIAL:

THE INFORMATION CONTAINED IN THIS DRAWING IS THE SOLE PROPERTY OF ALPHA 3 MANUFACTURING. ANY REPRODUCTION IN PART OR AS A WHOLE WITHOUT THE WRITTEN PERMISSION OF ALPHA 3 MANUFACTURING IS PROHIBITED.

DEM Manufacturing is a division of Alpha 3 Manufacturing LTD
DEM Manufacturing, Deltron Emcon House, Hangreaves Way,
Sawcliffe Ind. Park, Scunthorpe, North Lincolnshire, DN15 8RF, UK

UNLESS OTHERWISE SPECIFIED DIMENSIONS ARE IN MILLIMETRES
LINEAR & RADIAL TOLERANCE:
NO DECIMAL PLACES
1 DECIMAL PLACE
2 DECIMAL PLACES
ANGULAR TOLERANCE:

IF IN DOUBT ASK! DO NOT SCALE DRAWING!

| | |
|--|-----------------|
| FINISH | SMOOTH / GLOSSY |
| MATERIAL | ABS |
| THE FINISHED PRODUCT SHOULD BE CLEAN AND FREE FROM ALL LIQUIDS AND DEBRIS. SURFACES SHOULD BE OF UNIFORM APPEARANCE FREE FROM SHARP EDGES, BURRS AND CORROSION | |

| | | | |
|------------------------|--------------|------------|------------------------|
| AUTHOR | Shaun Barron | TITLE | ABS ENCLOSURE |
| EDITOR | DT | FILE | 479-0160 Specification |
| APPROVER | DT | PART | LID AND BASE ENCL |
| THIRD ANGLE PROJECTION | SHEET 1 OF 1 | ISSUE/REV. | 002 |
| SCALE | 1:1.5 | A4 | RELEASED |
| VERSION | 8 | EDIT DATE | 21 Jun 2017 |