

IP68 EMI/RFI General Purpose Enclosures Technical Specification

Enhanced EMI/RFI protection is offered through the incorporation of a semi-conductive sealing mechanism which maintains conductivity between the lid and the enclosure, whilst preventing ingress of dust and water.

15 sizes are available, complete with captive screws, earth screws and PCB guides on selected sizes. Nine sizes are also available with flanges for easy mounting.

Deltron Enclosures can customise any enclosure in our UK factory, including machining, painting, finishing, component sourcing and installation to meet your specification, save time and cut your costs. View our Services page on our website for more information.



For more information:

Phone: +44 (0)1724 273206

Features:

- Enhanced EMI/RFI Protection
- IP68 Rated
- Manufactured from ADC12
- Certified to BS EN 60529:1992

Typical Applications:

- Marine
- Water Treatment
- Military
- Food Processing
- Aerospace

Available Dimensions:

89 x 35 x 31*	114 x 64 x 31*
114 x 89 x 56*	114 x 65 x 56*
172 x 121 x 56*	172 x 121 x 107*
222 x 146 x 56*	222 x 146 x 107
275 x 175 x 66	140 x 102 x 77*
165 x 127 x 77	120 x 100 x 36*
250 x 250 x 100	80 x 55 x 26
60 x 55 x 31	*= Available with Flanges

Finishes: Plain Aluminium, Powder or Nylon coat.

Coating Colours: Grey, Blue or Black.

Or choose to have your enclosure customised for bespoke finishes and colours.

DEM Manufacturing

Deltron Emcon House,
Hargreaves Way,
Sawcliffe Industrial Park,
Scunthorpe, DN15 8RF.

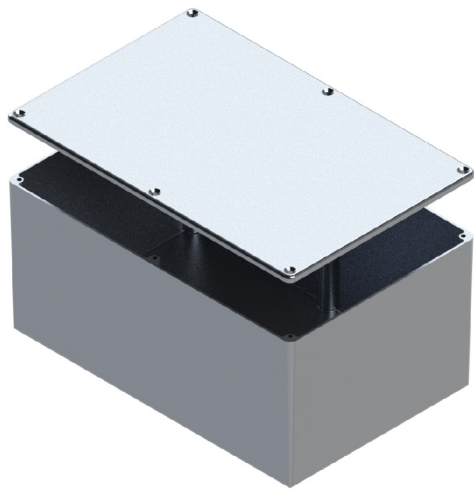
DELTRON Enclosures 

Web: www.dem-uk.com/deltron-enclosures

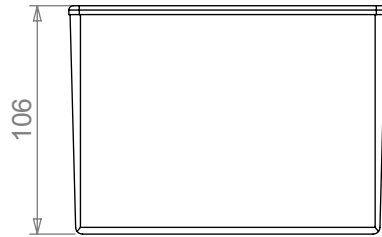
Tel: +44 (0) 1724 273206

Fax: +44 (0) 1724 280353

Email: sales@dem-uk.com

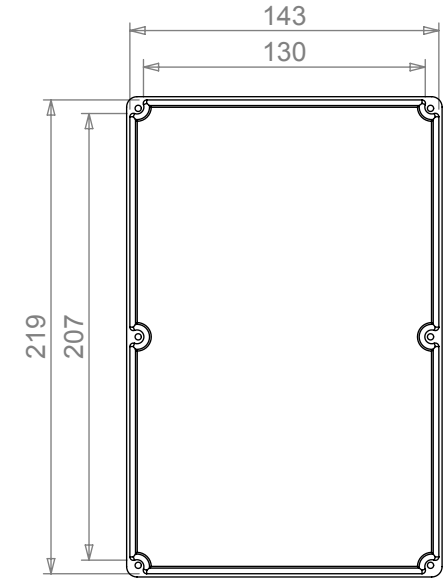
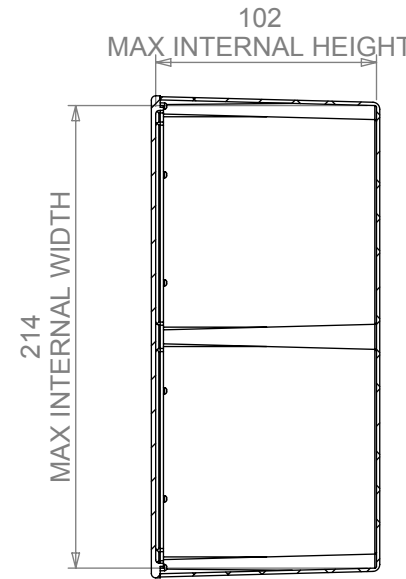
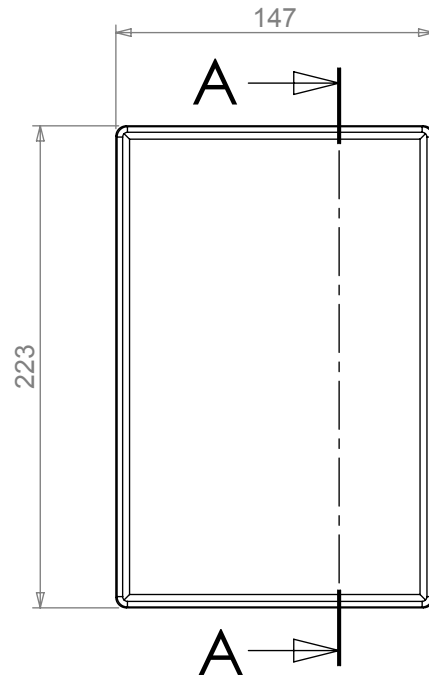
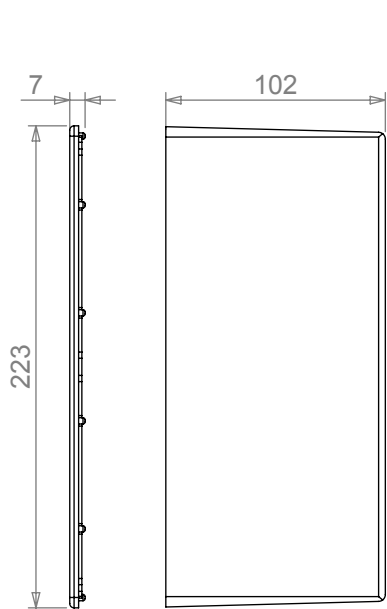


3	4	5	6	7		
LENGTH	WIDTH	HEIGHT	SEAL	PLAIN	POWDER COAT	NYLON COAT
223	147	106	NONE	459-0080	461-0080*	462-0080*
			IP66	460-0080	453-0080*	454-0080*
			IP68	480-0080	481-0080*	482-0080*
			IP68 EMI/RFI	480-C080	481-C080*	482-C080*
BOX DIMENSION IN MM			COLOUR OPTION - COLOUR SUFFIX * GREY=A / BLUE=B / BLACK = E			



STANDARD DUTY ENCLOSURE

- Material grade ADC12/LM2 Die Cast Alloy
- IP Rated available
- Min wall thickness 1.5mm
- Min lid thickness 1.5mm
- Fine textured powder coating and smooth nylon
- Screws stainless steel
- IP68 Tested to 5 metres for 1 hour
- Enclosures can be supplied fully factory customised to your specification



SECTION A-A

Tel No. +44(0)1724 273200 Website www.dem-uk.com



PROPRIETARY AND CONFIDENTIAL
 THE INFORMATION CONTAINED IN THIS DRAWING IS THE SOLE PROPERTY OF
 ALPHA 3 MANUFACTURING.
 ANY REPRODUCTION IN PART OR AS A WHOLE WITHOUT THE WRITTEN PERMISSION OF
 ALPHA 3 MANUFACTURING IS PROHIBITED.
 DEM Manufacturing, Deltron Emcon House
 Hargreaves Way, Sawcliffe Ind. Park,
 Scunthorpe, North Lincolnshire, DN15 8RF, UK

FINISH	PLAIN/POWDER COAT/NYLON	DEBURR AND BREAK SHARP EDGES	DRAWN BY	AY	TITLE	STANDARD DUTY ENCLOSURE BOX & LID ASSEMBLY	
			APPROVED BY	DT			
	IF IN DOUBT ASK DO NOT SCALE DRAWING		THIRD ANGLE PROJECTION	SHEET 1 OF 2	DRAWING NO.	H ENCLOSURE	
MATERIAL	ALUMINIUM ALLOY			SCALE 1:3.5	ISSUE	002	
				A4		Release	