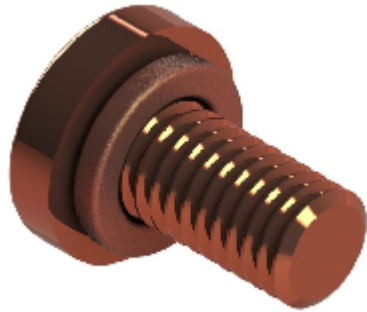


REV	1	DATE	ECN NUMBER	2	3	4	5	6	7
001	01 Jun 2018								
001	22 May 2018								



M4 IMAGE FOR ILLUSTRATION

EARTH SCREW FOR USE WITH HEAVY DUTY ENCLOSURES

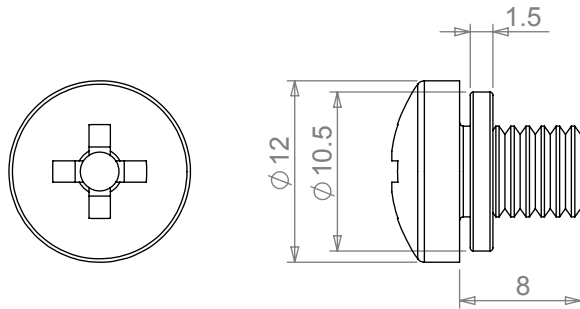
M6X8 OR M4X8 COPPER EARTH SCREW WITH SPLIT WASHER

- SUPPLIED IN PACK OF 2
- CLEAN AND BURR FREE
- STEEL WITH C1010 COPPER PLATING
- WASHER IS SELF RETAINING

NOTE: FOR USE WITH SERIES TYPES 486, 487 AND 488

SIZE CODE	SCREW PART No
121208	486-CSCR-M4
121209	486-CSCR-M4
130806	486-CSCR-M4
161609	486-CSCR-M4
221208	486-CSCR-M4
221209	486-CSCR-M4
261609	486-CSCR-M6
261612	486-CSCR-M6

PLEASE SELECT **SIZE CODE** FROM THE BELOW TABLE



How to Work Out Deltron Enclosures Part Numbers
Heavy Duty

e.g. 487-261609E-68

Series - (3 digits)	Size Identifier - (6 digits)	Coating Colour - (1 digit)	IP Rating - (2 digits)
XXX	XXXXXX	X	XX
SERIES CODE	SIZE CODE	COATING CODE	IP CODE
486 = No Coating 487 = Powder Coating 488 = Nylon Coating	121208 = 125 x 125 x 80mm 121209 = 125 x 125 x 90mm 130806 = 130 x 80 x 60mm 161609 = 160 x 160 x 90mm 221208 = 220 x 120 x 80mm 221209 = 220 x 120 x 90mm 261609 = 261 x 160 x 90mm 261612 = 260 x 160 x 120mm	Blank = No Paint (486) E = Blk B = Blu A = Gry	Blank = No IP Rating 66 = IP66 68 = IP68

