

IP66 Heavy Duty Enclosures Technical Specification

This series has been designed for resistance to tougher environments where a hardwearing box, combined with ingress protection may be required.

Sealed to IP66, they are dust proof, splash proof and protected from powerful jets of water. Eight sizes are available comprising PCB guides, DIN rail mounting points, lid, seal, captive screws and earth screws.

The range can be finished in plain aluminium, or painted and coated for added resistance to abrasion, oils, corrosion and diluted acids.



For more information:

Phone: +44 (0)1724 273206

Features:

- IP66 (BS EN 60529:1992)
- Heavy Duty
- Manufactured from LM2/LM24
- RoHS Compliant

Typical Applications:

- Test & Measurement Equipment
- CCTV/Surveillance Tools
- Traffic Management Equipment
- Water Treatment

Available Dimensions:

125 x 125 x 80mm	220 x 120 x 80mm
125 x 125 x 90mm	220 x 120 x 90mm
130 x 80 x 60mm	260 x 160 x 90mm
160 x 160 x 90mm	260 x 160 x 120mm

Finishes: Plain Aluminium, Powder or Nylon Coat

Colours: Grey, Blue or Black when a powder or nylon coating is selected.

Customisation: We can machine and customise the enclosures to meet your specification.

- Visit our website for a complete services list.

DEM Manufacturing

Deltron Emcon House

Hargreaves Way, Sawcliffe Industrial Park

Scunthorpe, North Lincolnshire

DN15 8RF

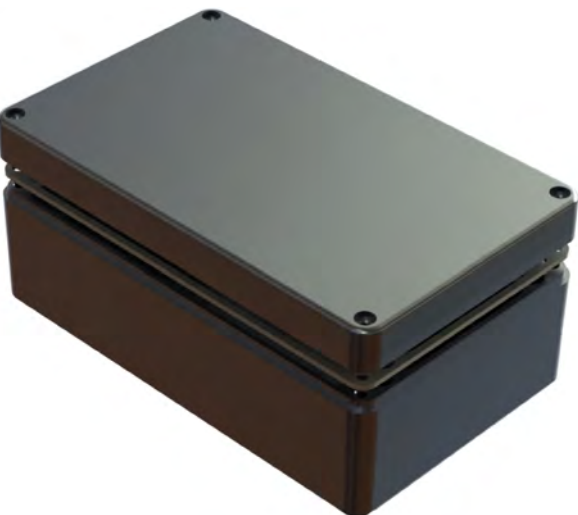


Tel: 44 (0) 1724 273200

Email: sales@dem-uk.com

Web: www.dem-uk.com/deltron-enclosures

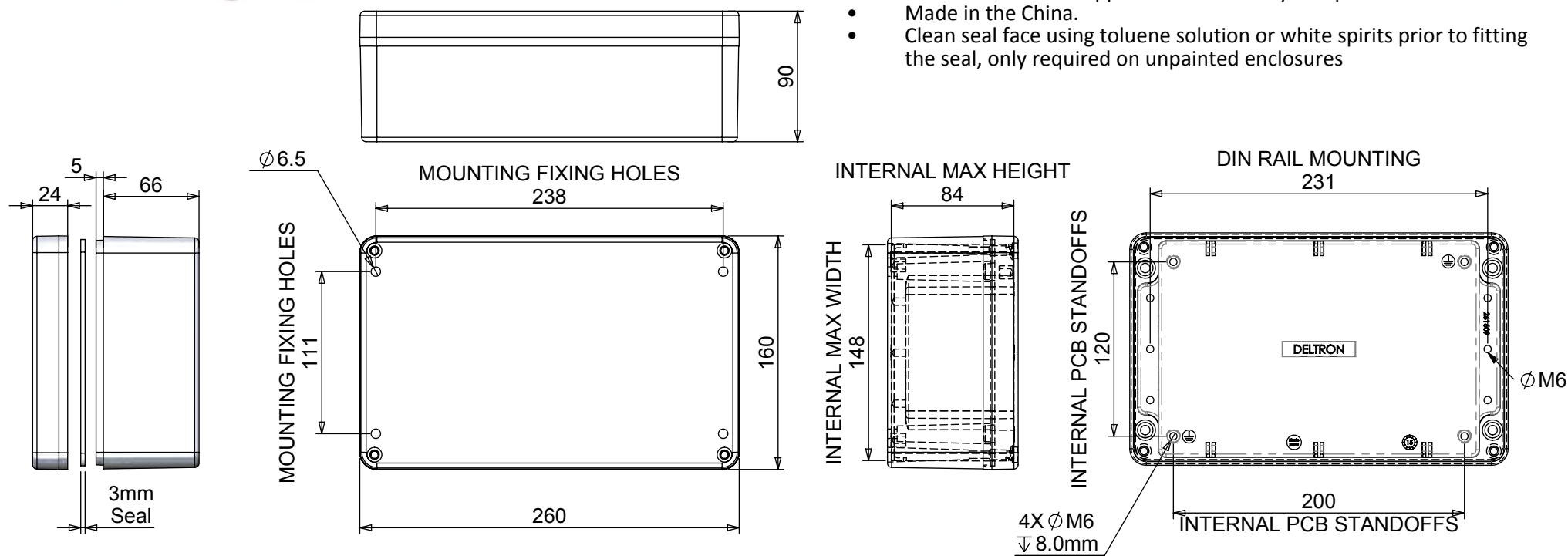
REV	DATE	ECN NUMBER	ECR COMMENT
007	06 Jun 2017	4833/4835	
006	05 Jun 2017	4833/4835	CHANGE MADE IN UK TEXT TO MADE IN CHINA



Length	Width	Height	Un-Painted	Powder Coat	Nylon Coat
260	160	90	486-261609-66	487-261609*-66	488-261609*-66
Box Dimensions in mm			Colour Option - Colour suffix * - Grey= A / Blue= B / Black= E		

DIE CAST ALUMINIUM ENCLOSURE SEALED TO
BS EN 60529:1992 IP66, IP67

- 3mm One piece Die cut Silicone Rubber Sponge 01-255FR Seal
- Seal has Self Adhesive Backing. 01-255SAB Suitable for -60 °c to 240 °c.
- Min seal thickness 3.0mm - min seal frame width 3.5mm
- Min enclosure wall thickness 3mm
- Min enclosure lid thickness 3mm
- PCB maximum dimensions 148mm Length, 1.7mm Width
- Enclosures can be supplied Machined to your specifications
- Made in the China.
- Clean seal face using toluene solution or white spirits prior to fitting the seal, only required on unpainted enclosures



+44(0)1724 273200 www.dem-uk.com

PROPRIETARY AND CONFIDENTIAL:
THE INFORMATION CONTAINED IN THIS DRAWING IS THE SOLE PROPERTY OF ALPHA 3 MANUFACTURING. ANY REPRODUCTION IN PART OR AS A WHOLE WITHOUT THE WRITTEN PERMISSION OF ALPHA 3 MANUFACTURING IS PROHIBITED.
DEM Manufacturing is a division of Alpha 3 Manufacturing LTD
DEM Manufacturing, Deltron Emcon House, Hargreaves Way, Sawcliffe Ind. Park, Scunthorpe, North Lincolnshire, DN15 8RF, UK

UNLESS OTHERWISE SPECIFIED DIMENSIONS ARE IN MILLIMETRES
LINEAR & RADIAL TOLERANCE:
NO DECIMAL PLACES
1 DECIMAL PLACE
2 DECIMAL PLACES
ANGULAR TOLERANCE:

IF IN DOUBT ASK! DO NOT SCALE DRAWING!

FINISH	SEE NOTES
MATERIAL	LM24 / LM2

THE FINISHED PRODUCT SHOULD BE CLEAN AND FREE FROM ALL LIQUIDS AND DEBRIS. SURFACES SHOULD BE OF UNIFORM APPEARANCE FREE FROM SHARP EDGES, BURRS AND CORROSION

AUTHOR	Shaun Barron		TITLE	HEAVY DUTY ENCL' IP66	
EDITOR	DT		FILE	486-261609-66	
APPROVER	DT		PART		
THIRD ANGLE PROJECTION	SHEET 1 OF 1	ISSUE/REV.	007	VERSION	14
	SCALE 1:4	A4	RELEASED	EDIT DATE	06 Jun 2017