

IP68 Fortis Enclosure Range

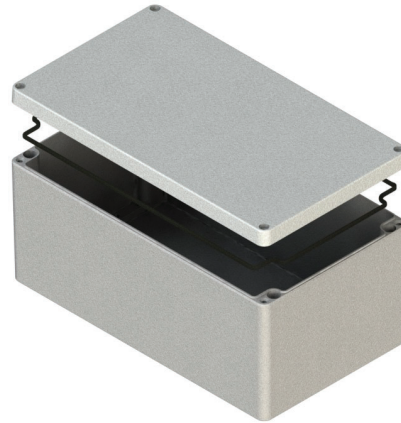
Technical Specification

FORTIS

The best protection on the market yet over the combined effects of water, impact and corrosive environments.

Outstanding Corrosion Resistance: A salt spray test simulated prolonged periods in a corrosive environment and although the enclosures are certified for resistance up to 1000 hours, the test actually went on a further 18 weeks, only stopped due to other projects that required the engineers' attention, and the box was still not corroded.

Manufactured from the best alloy: Containing less than 0.1% copper, the enclosure has a reduced rate of corrosion compared to standard aluminium, which on average contains 3% to 4% copper.



High Impact and Ingress Protection: Not only do they retain an impact rating of up to 7 joules, but all IP testing was carried out after impact testing, verifying that the seal is maintained when the enclosure is treated roughly. Most enclosures on the market perform IP testing before impact testing.

Superior Painting Process: All boxes are chemically passivated prior to painting and then allowed to dry for 48 hours before electrostatically coating with Epoxy-Polyester Hybrid.

- Corrosion Resistant (Less than 0.1% copper)
- Manufactured from GD-ALSi12
- High Impact Resistance (Up to 7 Joules)
- Longer Lifespan
- Reusable Seals (Up to 200 compressions)
- Rated IP68 (IP66 also available)
- Finished in Epoxy-Polyester Hybrid
- Available in Grey (from stock), Black or Red (to order)
- 14 Sizes Available

Customisation: We can machine and populate the enclosures to meet your specification.

[Visit our website for more information.](#)

For more information or technical enquiries:

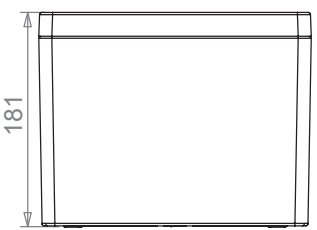
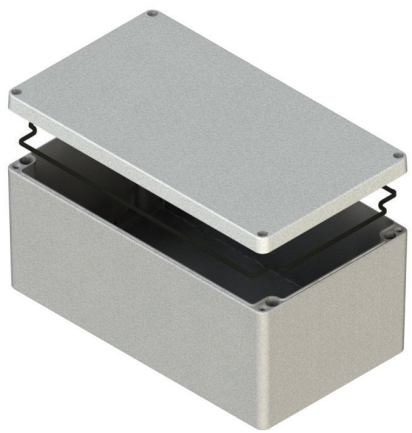
+44 01724 273200 | sales@dem-uk.com

www.dem-uk.com/deltron-enclosures

DELTRON Enclosures 

Deltron Emcon House, Hargreaves Way,
Sawcliffe Industrial Park, Scunthorpe,
North Lincolnshire, DN15 8RF, UK.

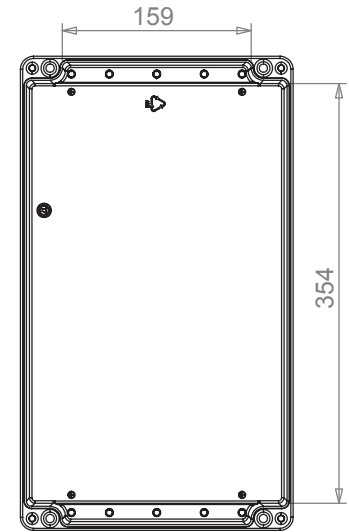
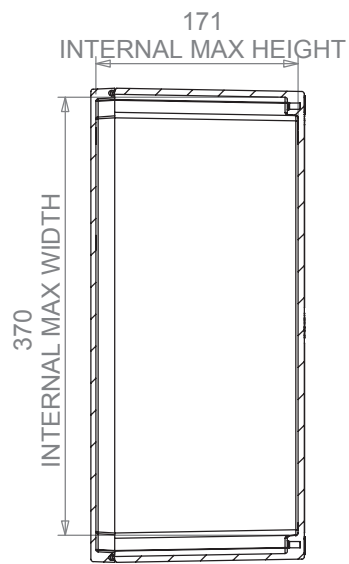
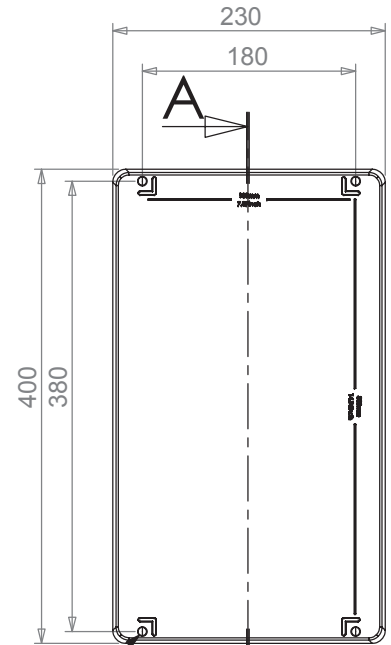
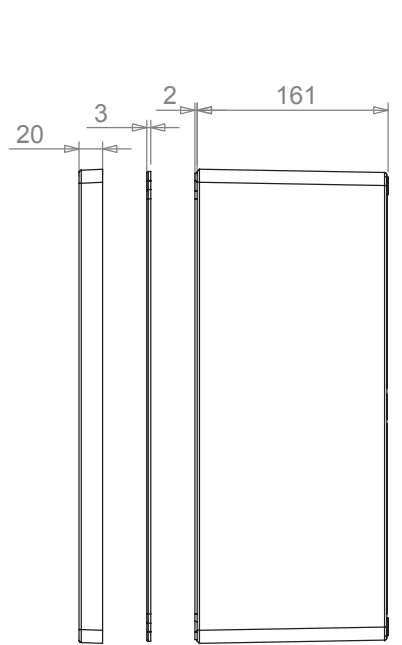
REV	DATE	ECN NUMBER	ECR COMMENT	3	4	5	6	7
001	24 Oct 2018		FIRST ISSUE					



LENGTH	WIDTH	HEIGHT	PLAIN	POWDER COAT
400	230	181	489-402318-68	490-402318*-68
BOX DIMENSIONS IN MM			COLOUR OPTION - COLOUR SUFFIX * - GREY=A, BLACK=E & RED=R	

HEAVY DUTY ENCLOSURE IP68 CORROSION + IMPACT RESISTANT BOX & LID ASSEMBLY

- Material EN AC-ALSi(Fe) to DIN EN 1706 (GD-ALSi12 to DIN 1725)
- IP68 Test as per IS/IEC 60529:2001 depth of 1 meter for 24 hours
- Shock resistance 7 Joules in accordance with EN 60079-0:2004 without impairment of protection
- Seal supplied neoprene moulded and replaceable. Has flat seal face (moulded silicon available on request)
- Min enclosure wall thickness 2.4mm
- Min enclosure lid thickness 2.4mm
- Enclosures can be supplied fully factory customised to your specification
- Powder coating 70-90 µm external 50-70 µm internal where specified, Hybrid Epoxy Poly and Passivated
- Salt spray >1000h
- Screws stainless steel captive Torx T25
- Lid screw torque rating M4-1.5Nm & M6-5.2Nm



MOUNTING HOLES X4 **A**

SECTION A-A

DELTRON Components | **bcs** | **DEM** | **Alpha 3**

DELTRON Enclosures | **ROXBURGH EMC**

+44(0)1724 273200 | www.dem-uk.com

PROPRIETARY AND CONFIDENTIAL:
 THE INFORMATION CONTAINED IN THIS DRAWING IS THE SOLE PROPERTY OF ALPHA 3 MANUFACTURING. ANY REPRODUCTION IN PART OR AS A WHOLE WITHOUT THE WRITTEN PERMISSION OF ALPHA 3 MANUFACTURING IS PROHIBITED.

DEM Manufacturing is a division of Alpha 3 Manufacturing LTD
 DEM Manufacturing, Deltron Emcon House, Hargreaves Way, Sawcliffe Ind. Park, Scunthorpe, North Lincolnshire, DN15 8RF, UK

UNLESS OTHERWISE SPECIFIED, DIMENSIONS ARE IN MILLIMETRES
 LINEAR & RADIAL TOLERANCE:
NO DECIMAL PLACES
1 DECIMAL PLACE
2 DECIMAL PLACES
ANGULAR TOLERANCE:

IF IN DOUBT ASK! DO NOT SCALE DRAWING!		AUTHOR	AY	TITLE	HEAVY DUTY ENCL' IP68
FINISH	PLAIN/POWDER COAT	EDITOR	AY	FILE	490-402318
MATERIAL	ALUMINIUM	APPROVER	WC	PART	402318-68
THE FINISHED PRODUCT SHOULD BE CLEAN AND FREE FROM ALL LIQUIDS AND DEBRIS. SURFACES SHOULD BE OF UNIFORM APPEARANCE FREE FROM SHARP EDGES, BURRS AND CORROSION		THIRD ANGLE PROJECTION	SHEET 1 OF 1	ISSUE/REV.	001
			SCALE 1:6	A4	RELEASED
				VERSION	16
				EDIT DATE	24 Oct 2018

SCALE 1:6 | A4

RELEASED

EDIT DATE 24 Oct 2018