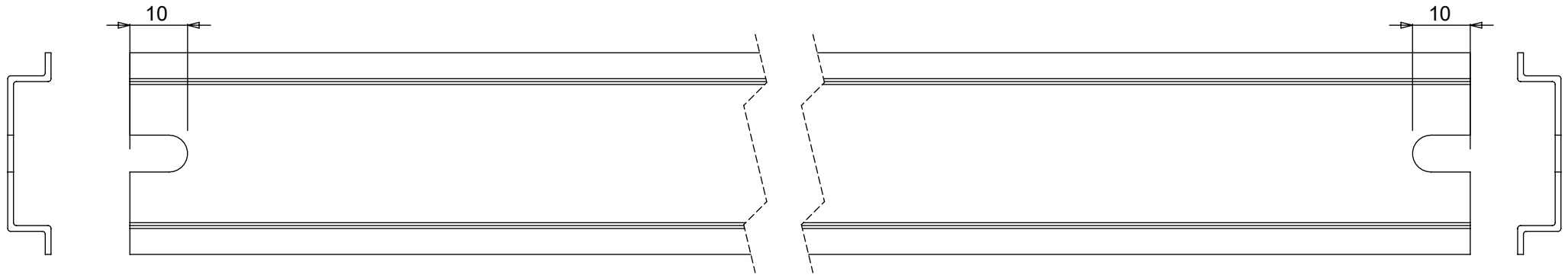
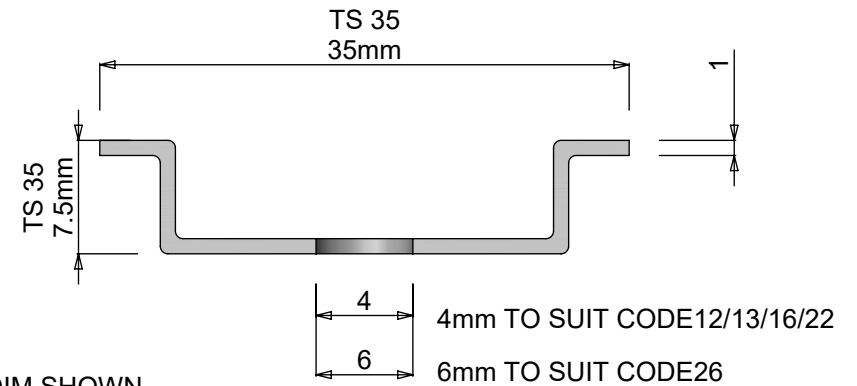


REV	DATE	ECN NUMBER	ECR COMMENT
006	08 Sep 2020	C04743	duplicate dwg/delete and amend 4DR3522 to 200mm
005	21 Mar 2018	C03891	15MM DIN RAILED REMOVED



DIN RAIL TO SUIT HEAVY DUTY ENCLOSURE			
ENCLOSURE PART NUMBER	TS 35 ORDER CODE	DIN RAIL LENGTH (MM)	SCREWS
4**-121208	4DR3512	109	M4
4**-121209			
4**-130806			
4**-161609	4D3513	114	
4**-221208	4DR3516	141	
4**-221209			
4**-261609	4DR3522	200	M6
4**-261612	4DR3526	244	



MATERIAL: GALVANISED, STEEL & PASSIVATED  
 TS 35 X 7.5: SHORT-CIRCUIT STRENGTH CORRESPONDS TO E-CU WIRE @ 16MM<sup>2</sup>  
 ALL DIN RAIL KITS WILL BE SUPPLIED WITH 2 X COPPER PLATED FIXING SCREWS THREAD DIM SHOWN

**PROPRIETARY AND CONFIDENTIAL:**  
 THE INFORMATION CONTAINED IN THIS DRAWING IS THE SOLE PROPERTY OF ALPHA 3 MANUFACTURING. ANY REPRODUCTION IN PART OR AS A WHOLE WITHOUT THE WRITTEN PERMISSION OF ALPHA 3 MANUFACTURING IS PROHIBITED.  
 DEM Manufacturing is a division of Alpha 3 Manufacturing LTD  
 DEM Manufacturing, Deltron Emcon House, Hargreaves Way, Sawcliffe Ind. Park, Scunthorpe, North Lincolnshire, DN15 8RF, UK

UNLESS OTHERWISE SPECIFIED DIMENSIONS ARE IN MILLIMETRES  
 LINEAR & RADIAL TOLERANCE:  
**NO DECIMAL PLACES ±0.5mm**  
**1 DECIMAL PLACE ±0.25mm**  
**2 DECIMAL PLACES ±0.125mm**  
**ANGULAR TOLERANCE: ±1°**

**IF IN DOUBT ASK! DO NOT SCALE DRAWING!**  
 FINISH: ZINC PLATED  
 MATERIAL: MILD STEEL  
 THE FINISHED PRODUCT SHOULD BE CLEAN AND FREE FROM ALL LIQUIDS AND DEBRIS. SURFACES SHOULD BE OF UNIFORM APPEARANCE FREE FROM SHARP EDGES, BURRS AND CORROSION

AUTHOR: SB  
 EDITOR: WC  
 APPROVER: WC  
 THIRD ANGLE PROJECTION

SHEET 1 OF 1  
 SCALE 1:1 A4

TITLE: DIN RAIL TO SUIT HEAVY DUTY  
 FILE: HD Din Rail  
 PART: N/A  
 ISSUE/REV: 006  
 RELEASED  
 EDIT DATE: 08/09/2020  
 RELEASE DATE: 08/09/2020