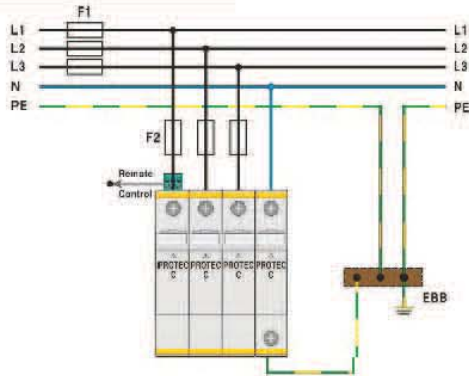


DVSC 400 45 4 TNS

**Multi-pole
Surge Arrester**
 $I_{max} = 45\text{ kA per pole (8/20)}$

TN-S Network (Three-phase)

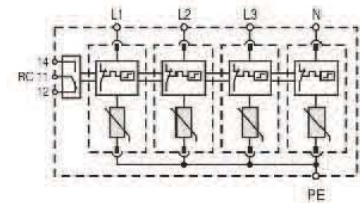


Technical data

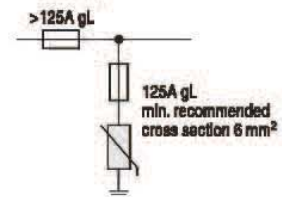
Type		
In accordance with		IEC-61643-1
Max. continuous operating voltage (AC/DC)	U_c	320/420V
Nominal discharge current (8/20)	I_n	20kA per pole
Max. discharge current (8/20)	I_{max}	45kA per pole
Protection level	U_p	< 1.5kV
Follow current	I_f	NO
Response time	t_A	< 25ns
Residual current at U_c	I_{PE}	< 1.5mA
Thermal protection		YES
Terminal screw torque		max. 4.5Nm
Back-up fuse (if mains > 125A)		125A gL
Short-circuit withstand current		25kA / 50Hz
Temperature range		-40°C +80°C
Terminal cross section		35mm ² (solid) / 25mm ² (stranded)
Mounting EN 60715		35mm top-hat rail
Degree of protection		IP 20
Housing material		thermoplastic; extinguishing degree UL 94 V-0
Dimensions DIN 43880		4TE
Weight per unit		456g
DVSC400454TNS (with remote contacts)		
Remote contacts		YES
Contact ratings		AC: 250V/0.5A; 125V/3A
Terminal cross section		max. 1.5mm ²
Remote terminal torque		0.25Nm
Weight per unit		461g
Packaging dimensions (single unit)		109 x 76.5 x 78mm

Connection diagram

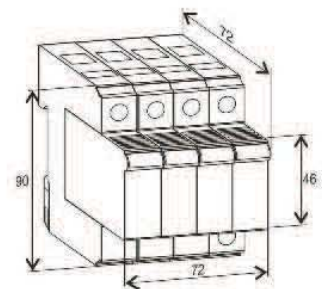
DVSC400454TNS



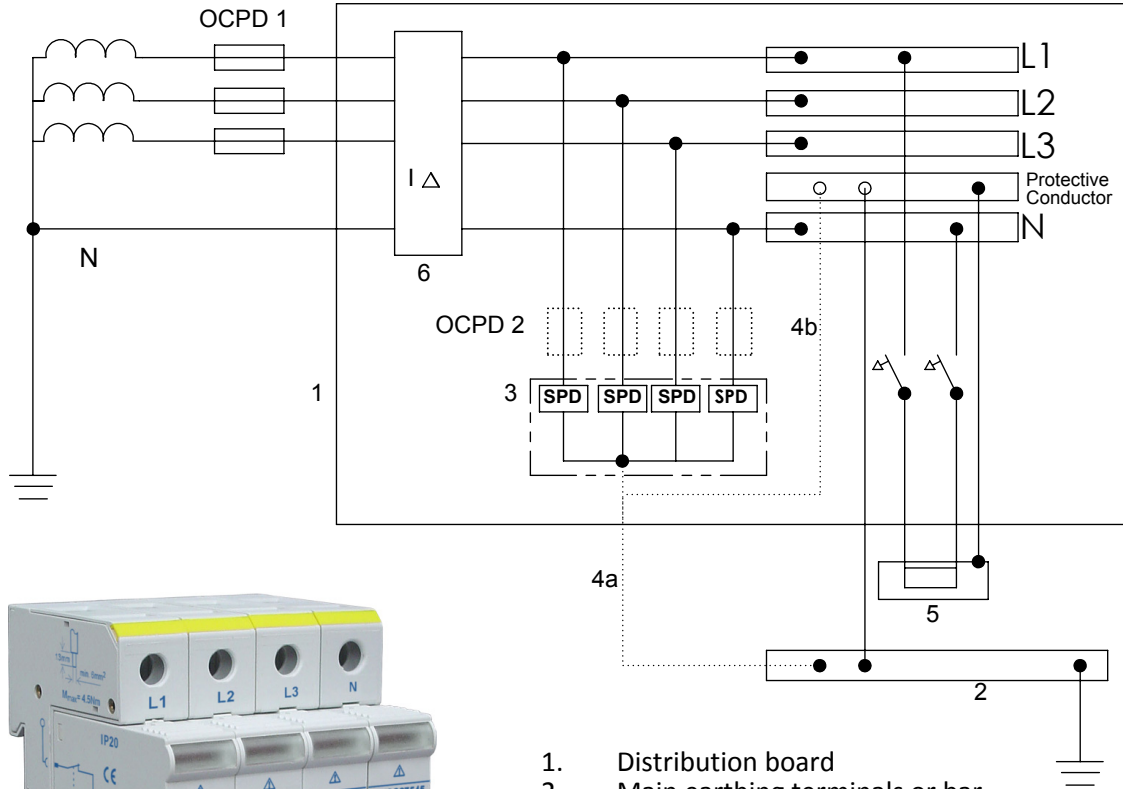
Selection of back-up fuse



Dimensions



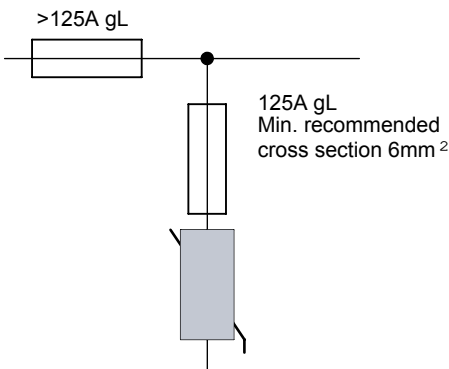
DVSC400454TNS Surge Protection Device recommended for use with TT systems, connection Type 1 (CT 1)
 SPD connected to the load side of an RCD according to regulation 534.2.5(i)



3 :

1. Distribution board
2. Main earthing terminals or bar
3. Surge protective devices ensuring a protection level in accordance with overvoltage Category II
4. Earthing connection of surge protective devices, either 4a or 4b, whichever is the shorter route
5. Current-using equipment
6. Residual current protective device (RCD)

OCPD 1: Overcurrent protective device at the origin of the installation
 OCPD 2: Overcurrent protective device



Type DVSC400454TNS		
In accordance with		IEC-61643-1
Max. continuous operating Voltage (AC/DC)	U_c	320/420V
Nominal discharge current (8/20) I_n	I_n	20kA per pole
Max. discharge current(8/20)	I_{max}	45kA per pole
Protection level	U_p	< 1.5kV
Follow current	I_f	NO
Response time	t_A	< 25ns
Residual current at U_c	I_{PE}	< 1.5mA
Thermal protection		Yes
Terminal Screw torque		max. 4.5Nm
Back up fuse (If mains > 125A)		125A gL
Short circuit withstand current		25kA/50Hz
Temperature range		-40°C+80°C
Terminal cross section		35mm ² (solid)/25mm ² (stranded)
Mounting EN60715		35mm top-hat rail
Degree of protection		IP20
Housing material		thermoplastic; extinguishing degree UL 94 V-0
Dimensions DIN 43880		4TE
Weight per unit		456g
Packaging dimension (single unit)		109x76.5x78mm