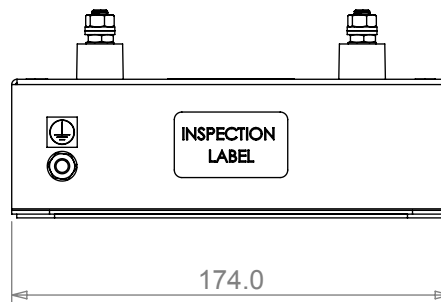
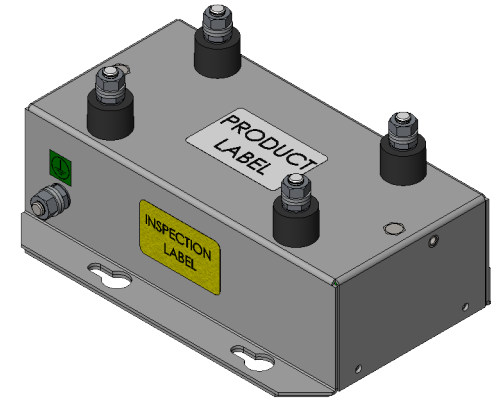
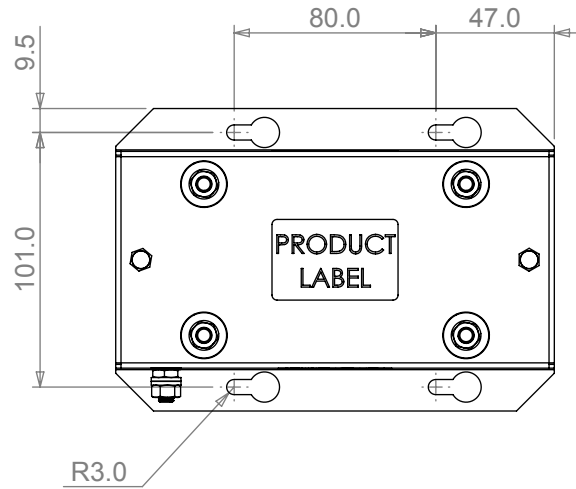


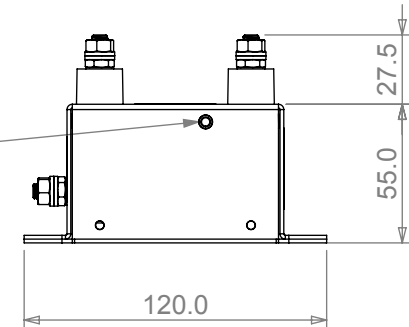
MDF36

AKA

Device	rfi filter
Current	36A 40°C
Earthing	M6x13 stud 4Nm
Enclosure	aluminium 1.5mm
Loss	5W/ph
Leakage	110mA operating
Mass	1.75kg
Mounting	M5x4
PCB	FR4 AVL2 VW-1 600V 105°C IIIa
Potting	resin
Power	8.6kW
Protection	IP00
Resistance	3.8mR/ph
Residual	5V 5s
SCCR	5kA
Style	Stud filter
Terminal	stud M6 4Nm
Varistor	n/a
Voltage	1P 250V 50/60Hz
Volts IT	
Withstand	2100Vdc 60s
Altitude	2000m w/out derating
Bonding	25A 50/60Hz
Class	class I
Environment	-25/+85/21
Flammability	UL94 V-2 min
Humidity	93% RH non-condensing
Insulation	500Vdc ?3.5MR
Material	group IIIB
MTBF	22yrs (MIL-HDBK-217F)
Overload	135% 2hrs 150% 60s
Overvoltage	category II
Packaging	ASTM D7386
Pollution	degree II
Shock	15g 11mS
Spacing	?50mm gap
Vibration	5-55Hz 350um 55-500Hz 2G
EU	CE EN60939
US	uR UL1283
CAN	cUR CSA22.2
OTHER	



FIXING FOR SURGE ARRESTER (VSU2W)



Tel No. +44(0)1724 273200
Website www.dem-uk.com



PROPRIETARY AND CONFIDENTIAL:
THE INFORMATION CONTAINED IN THIS DRAWING IS THE SOLE PROPERTY OF ALPHA 3 MANUFACTURING. ANY REPRODUCTION IN PART OR AS A WHOLE WITHOUT THE WRITTEN PERMISSION OF ALPHA 3 MANUFACTURING IS PROHIBITED.

DEM Manufacturing, Deltron Emcon House, Hargreaves Way, Sawcliffe Ind. Park, Scunthorpe, North Lincolnshire, DN15 8RF, UK

UNLESS OTHERWISE SPECIFIED DIMENSIONS ARE IN MILLIMETRES
LINEAR & RADIAL TOLERANCE:
NO DECIMAL PLACES ±0.5mm
1 DECIMAL PLACE ±0.25mm
2 DECIMAL PLACES ±0.125mm
ANGULAR TOLERANCE: ±1°

DO NOT SCALE DRAWING

THE FINISHED PRODUCT SHOULD BE CLEAN AND FREE FROM ALL LIQUIDS AND DEBRIS. SURFACES SHOULD BE OF UNIFORM APPEARANCE FREE FROM SHARP EDGES, BURRS AND CORROSION

AUTHOR

DATE

THIRD ANGLE PROJECTION



SW

SHEET 1 OF 1

SCALE 1:2

A4

TITLE

DRAWING NO.

ISSUE

Release

SPECIFICATION

MDF36

04

Release

ROXBURGH ELECTRONICS LTD
FILTER INSERTION LOSS CHARACTERISTICS
CISPR 17 - 50 OHM METHOD

MDF36

