

# EMI/EMC FILTER

## PC2/PC3/PC4 SERIES



### FEATURES

- Unique structure and economical.
- Suitable for the products that must conform to FCC, FTZ.
- Very good filtering characteristics for both differential mode and common mode.
- Epoxy molded for reliability.

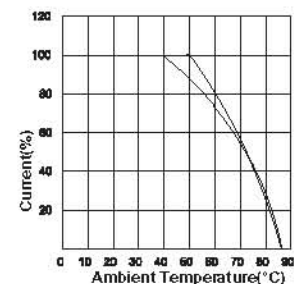
### APPLICATIONS

- Digital equipments.
- Medium capacity UPS.
- Measuring instruments and medical instruments.
- Facsimile, copy machines, OA instruments.
- Computerized washing machines, refrigerators and ranges.

### SPECIFICATIONS

Model	Rated Voltage (AC,DC)	Rated Current	Temperature Rise(max.)		Operating Temperature
			1	*2	
PC2, PC3, PC4-F05	250V	5A	45°C	30°C	-25°C to + 85°C Including temperature rise * Fig.1
PC2, PC3, PC4-F08	250V	8A	45°C	30°C	
PC2, PC3, PC4-F10	250V	10A	45°C	30°C	
PC2, PC3, PC4-F15	250V	15A	45°C	30°C	

Note : Test Voltage : 1500V AC one minute, line to earth.  
 Insulation Resistance : 300 Mohm min. at 500V DC.  
 Leakage Current : 0.5mA max.  
 Voltage Drop : 1V max. at rated current.  
 Weight : PC2 series : 90g, PC3 and PC4 series : 86g  
 Discharge Time : 0.4 sec. max.  
 \*2 : Temperature rise when mounted on 200mm x 200mm x t : 1.0mm steel chassis.

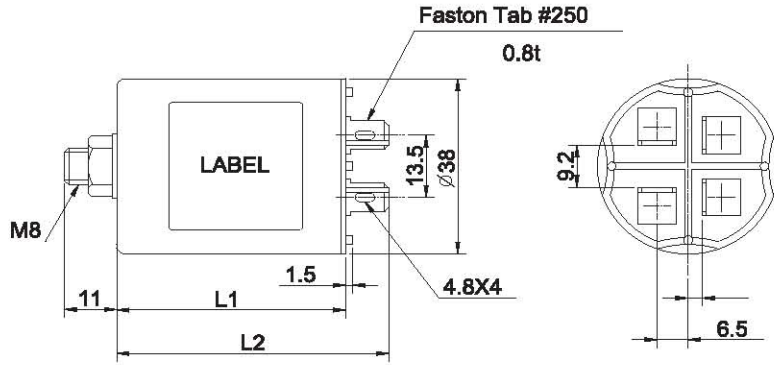


\* Fig.1

#### ■ Model Number Construction

PC	2	F	05
Series Description	Circuit: See Circuit Diagram next page Cylinder Height 2: 48mm 3: 40mm 4: 40mm	Input/Output Terminal Style F : Faston Tab #250	Current Rating : AC rms 05 : 5 amp 08 : 8 amp 10 : 10 amp 15 : 15 amp

# Shapes and Dimensions

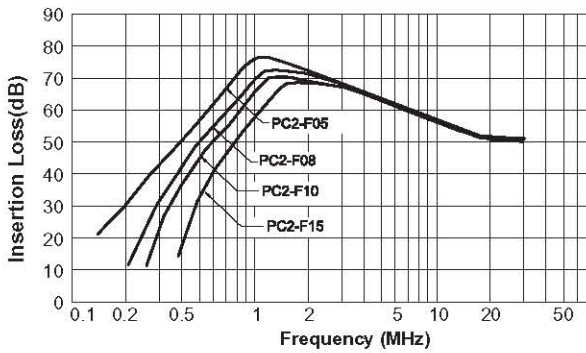


Type	Length	L1	L2
PC2		48	57
PC3, PC4		40	49

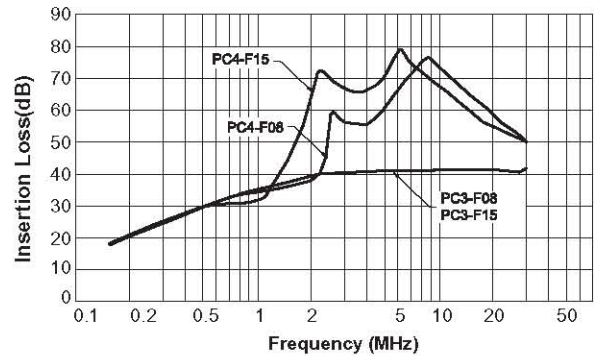
- \* General tolerance : +1.5
- \* Unit : mm
- \* Aluminum Case

## Attenuation Characteristics

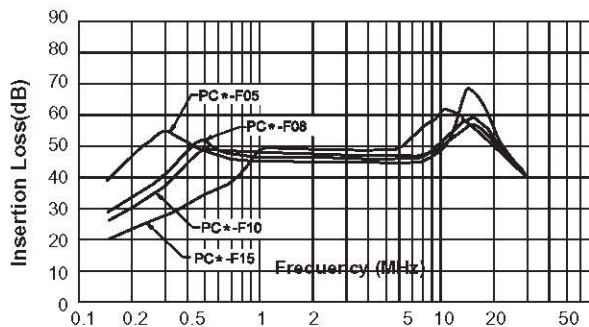
### ● PC2 Differential Mode



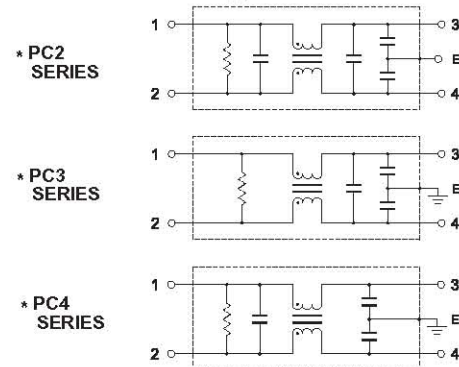
### ● PC3, PC4 Differential Mode



### ● PC \* Common Mode



### ● Circuit Diagram



### ● Measurement configuration

