

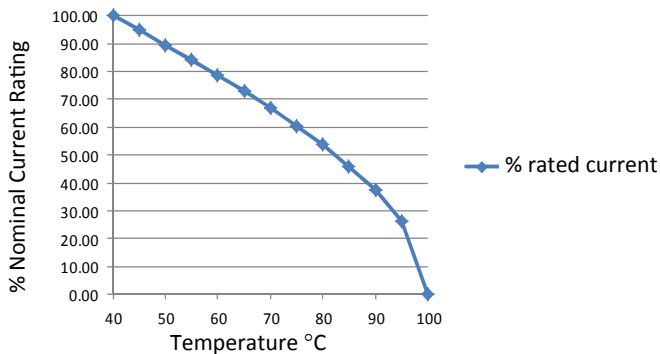
RES30 Chassis Mounted Filter

High Differential Mode and High Performance

Roxburgh's RES30 single phase chassis mounting filters offer high differential attenuation. These high performance filters are suitable for a broad range of applications including noisy environments where increased filter performance is required.



**Temperature Derating Curve for EMC Filters
Rated at 40°C Ambient and 100°C Maximum**



Call us on:
+44 (0) 1724 273200

Features:

- Single phase high performance
- High differential attenuation
- UL approved E191581
- For use from DC to 400Hz
- 1 Amp to 30 Amp

Benefits:

- Compact size for rated current
- Fast-on, screw or wire terminations
- Quick and easy mounting
- Available from UK stock

Application Examples:

- Lighting
- Electrical and electronic equipment
- Consumer goods
- Household equipment
- Building automation
- Machinery
- Electronic data/communication processing equipment
- Office automation

Full technical specification on page 2

Performance curves on page 3

Other options in this range on page 4

DEM Manufacturing

Deltron Emcon House
Hargreaves Way
Sawcliffe Industrial Park
Scunthorpe, North Lincolnshire.
DN15 8RF

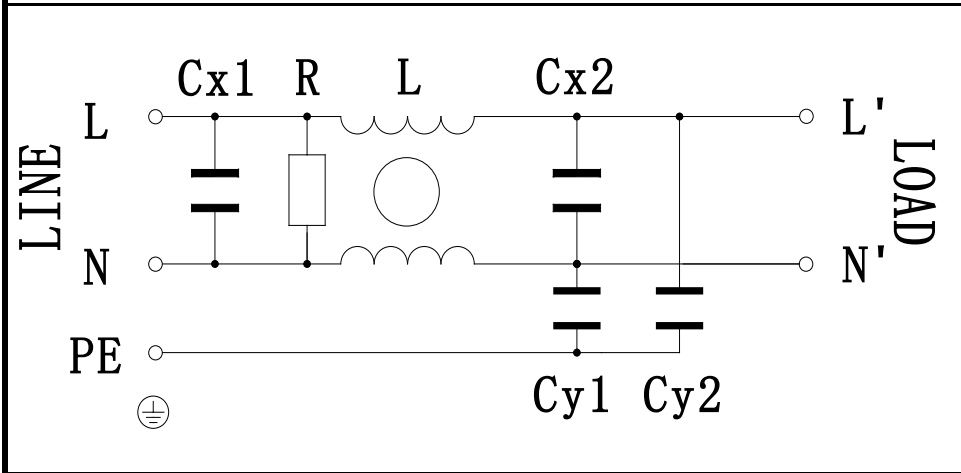


Tel: 44 (0) 1724 273200

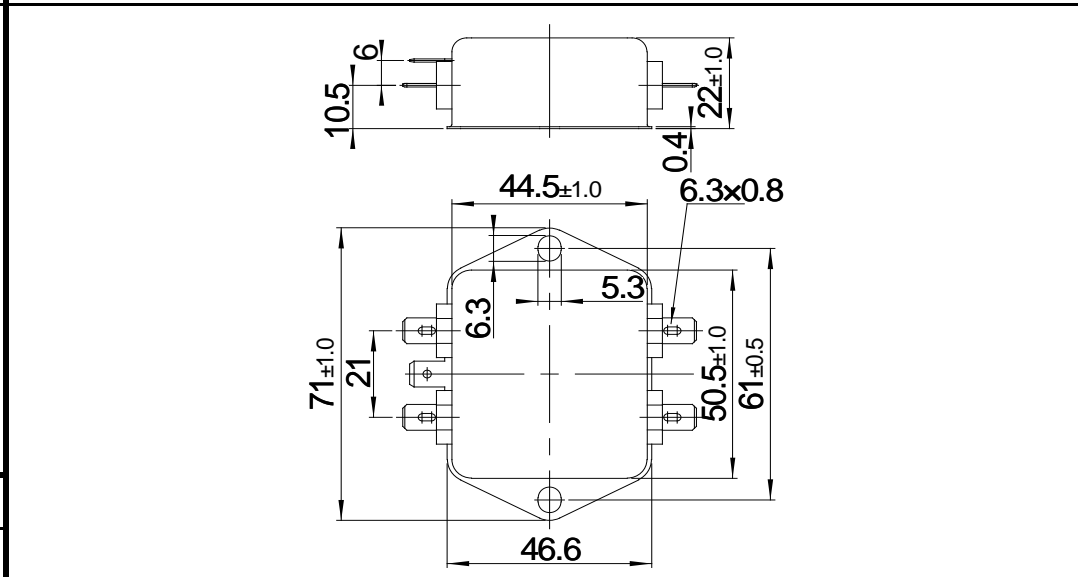
Email: sales@dem-uk.com

Web: www.dem-uk.com/roxburgh

Circuit diagram:



Dimensions(mm):



Electrical parameters:

Rated Voltage:	120/250VAC
Rated Current at an ambient temp:	3A@40°C
Operating Frequency:	50/60Hz
Climatic Class(IEC60068-1):	25/100/21
Operational Leakage current: (at 250VAC/50Hz and Total C +/-20%)	0.56mA max (RES30F03-M 0mA)
Operational Leakage current: (at 120VAC/60Hz and Total C +/-20%)	0.33mA max (RES30F03-M 0mA)
Test Voltage(100%)for 2 sec:	L-N:
	L/N-PE:

Filter parameters:

Total Inductance(L-L'/N-N'):	14mH +50%,-35%
Total Capacitance(L-N/L'-N'):	0.66uF +/-20%
Total Capacitance(L/N-PE) (RES30F03-M):	6.6nF +/-20% (0nF)
Total Resistance(L-N/L'-N'):	1MΩ +/-10%
Weight(Approximate):	100g

Safety certification **Technical Specification**

UL	<input checked="" type="checkbox"/>	CSA	<input checked="" type="checkbox"/>	compiled by	Jay Zhang	2020-8-5
ENEC	<input checked="" type="checkbox"/>	CQC	<input type="checkbox"/>	reviewed by	Pallas Wang	2020-8-5
CE	<input checked="" type="checkbox"/>	VDE	<input type="checkbox"/>	approved by	Henry Huang	2020-8-5

44 01 4 3 00
sales dem-uk.com
www.dem-uk.com/roxburgh

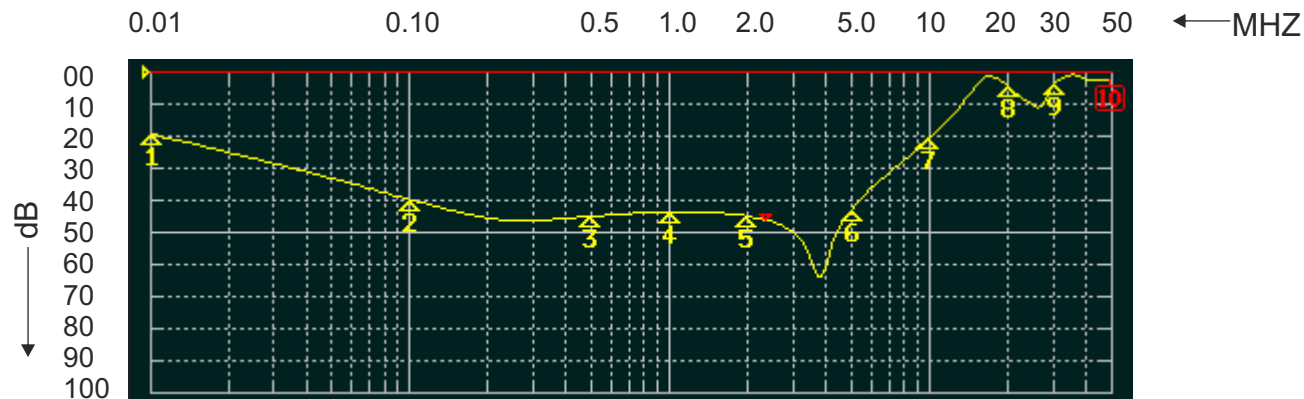
Part **RES30F03**
Number (Alternate RES30F03-M - no Y caps)

single-phase emc filter
stage marker V1.03

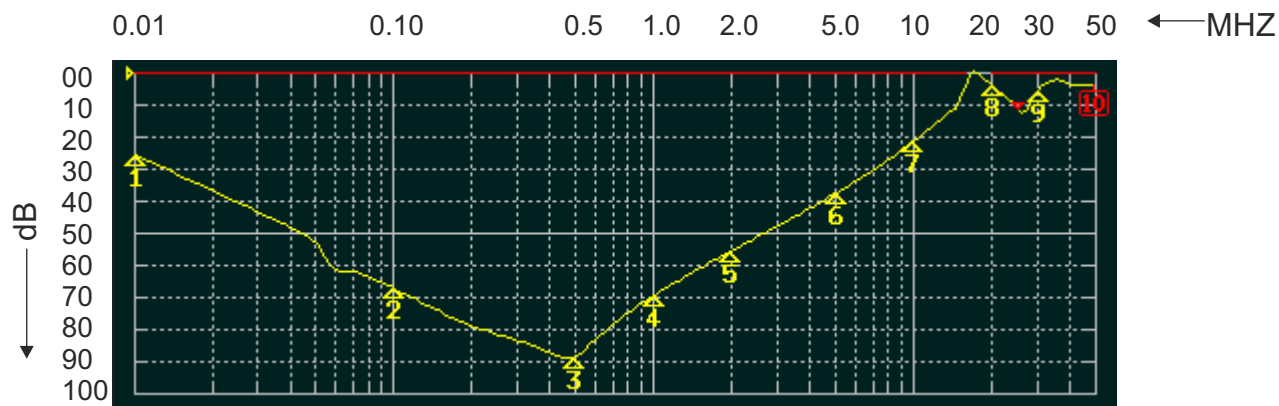
ROXBURGH EMC

FILTER INSERTION LOSS CHARACTERISTICS CISPR 17 - 50 OHM METHOD

RES30F03



COMMON MODE



DIFFERENTIAL MODE



RES30 Chassis Mounted Filter

High Differential Mode and High Performance

Options available:

Part Number	Rated Current @40°C	Leakage Current @ 230V/50Hz	Inductance ΣL	Capacitance ΣCx	Capacitance ΣCy	Resistance ΣR	Connection Type	
RES30F01	1	0.34	20	0.44	4.4	1000	F	W
RES30F03	3	0.52	14	0.66	6.6	1000	F	W
RES30F06	6	0.73	8	0.94	9.4	680	F	W
RES30F10	10	0.73	8	0.94	9.4	680	F	W
RES30F16	16	0.87	4	2.00	20	330	F	W
RES30F20	20	0.87	4	2.00	20	330	F	W
RES30S20	20	0.87	4	2.00	20	330		W S
RES30S30	30	0.87	2	2.00	20	330		S



Call us on:

+44 (0) 1724 273200



DEM Manufacturing

Deltron Emcon House, Hargreaves Way, Sawcliffe Industrial Park,
Scunthorpe, North Lincolnshire, DN15 8RF

Tel: 44 (0) 1724 273200

Email: sales@dem-uk.com

Web: www.dem-uk.com/roxburgh