

RES60 Chassis Mounted Filter

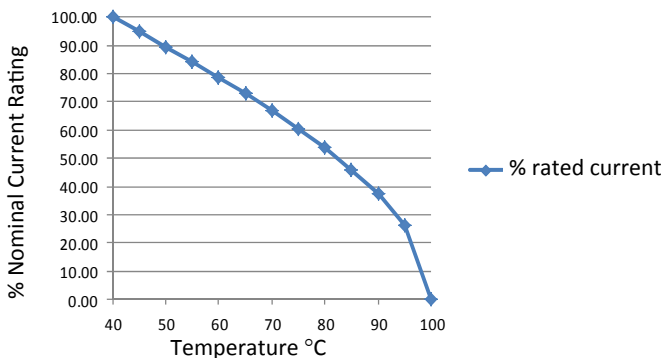
Multi-Stage High Differential and High Common Mode

The RES60 series is a multi-stage EMC filter offering high differential and high common mode attenuation, and designed for quick and easy chassis mounting.

These general purpose filters are suitable for a broad range of applications including noisy environments where increased filter performance is required.



**Temperature Derating Curve for EMC Filters
Rated at 40°C Ambient and 100°C Maximum**



Call us on:
+44 (0) 1724 273200

Features:

- Multi-stage
- High differential and high common mode attenuation
- UL approved E191581
- For use from DC to 400Hz
- 1 Amp to 30 Amp

Benefits:

- Compact size for rated current
- Fast-on, screw or wire terminations
- Quick and easy mounting
- Available from UK stock

Application Examples:

- Lighting
- Electrical and electronic equipment
- Consumer goods
- Household equipment
- Building automation
- Machinery
- Electronic data/communication processing equipment
- Office automation

Full technical specification on page 2

Performance curves on page 3

Other options in this range on page 4

DEM Manufacturing

Deltron Emcon House
Hargreaves Way
Sawcliffe Industrial Park
Scunthorpe, North Lincolnshire.
DN15 8RF

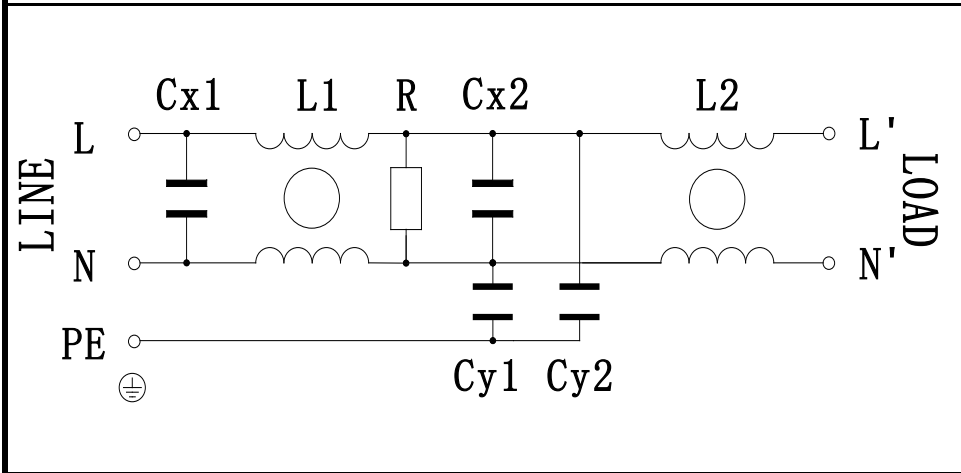


Tel: +44 (0) 1724 273200

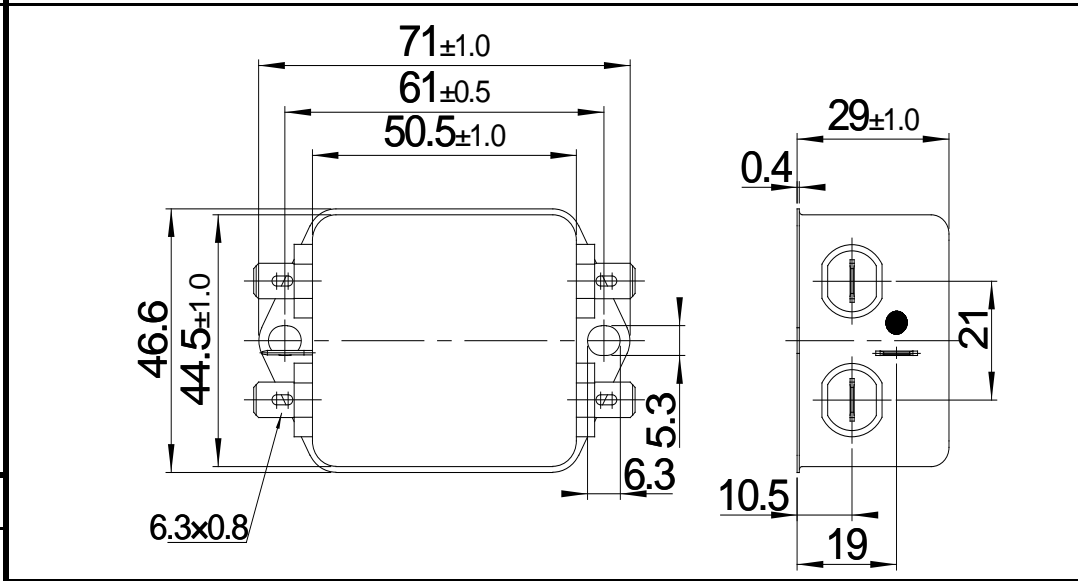
Email: sales@dem-uk.com

Web: www.dem-uk.com/roxburgh

Circuit diagram:



Dimensions(mm):



Electrical parameters:

Rated Voltage:	120/250VAC
Rated Current at an ambient temp:	6A@40°C
Operating Frequency:	50/60Hz
Climatic Class(IEC60068-1):	25/100/21
Operational Leakage current: (at 250VAC/50Hz and Total C +/-20%)	0.8mA max (RES60F06-M 0mA)
Operational Leakage current: (at 120VAC/60Hz and Total C +/-20%)	0.46mA max (RES60F06-M 0mA)
Test Voltage(100%)for 2 sec:	L-N:
	L/N-PE:
	1100VDC/20mA
	2250VDC/20mA

Filter parameters:

Total Inductance(L-L'/N-N'):	1.94mH +50%, -35%
Total Capacitance(L-N/L'-N'):	0.44uF +/-20%
Total Capacitance(L/N-PE) (RES60F06-M):	9.4nF +/-20% (0nF)
Total Resistance(L-N/L'-N'):	1MΩ +/-10%
Weight(Approximate):	105g

Safety certification **Technical Specification**

UL	<input checked="" type="checkbox"/>	CSA	<input checked="" type="checkbox"/>	compiled by	Jay Zhang	2020-8-5
ENEC	<input checked="" type="checkbox"/>	CQC	<input type="checkbox"/>	reviewed by	Pallas Wang	2020-8-5
CE	<input checked="" type="checkbox"/>	VDE	<input type="checkbox"/>	approved by	Henry Huang	2020-8-5

ROXBURGH EMC  +44 (0)1724 273200
sales@dem-uk.com
www.dem-uk.com/roxburgh

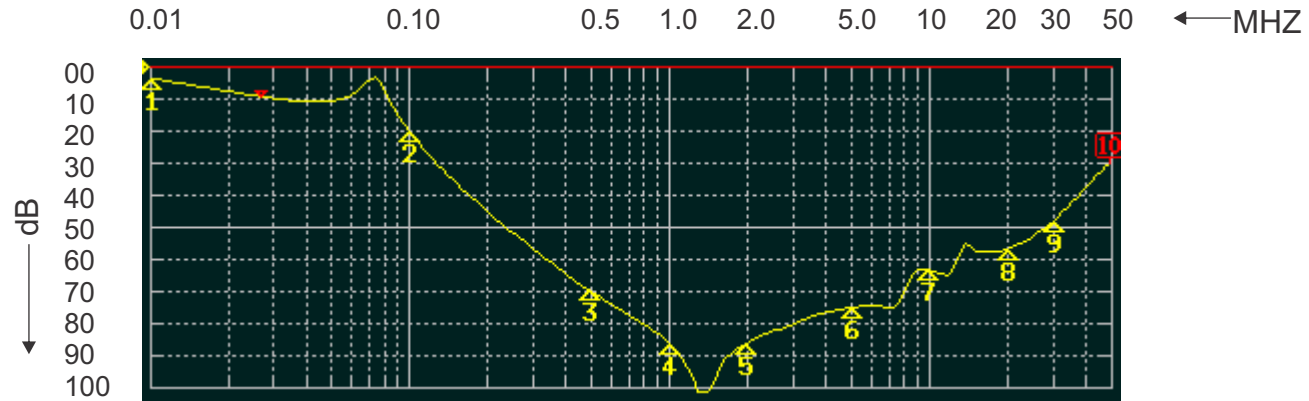
Part **RES60F06**
Number (Alternate RES60F06-M - no Y caps)

single-phase emc filter
stage marker V1.03

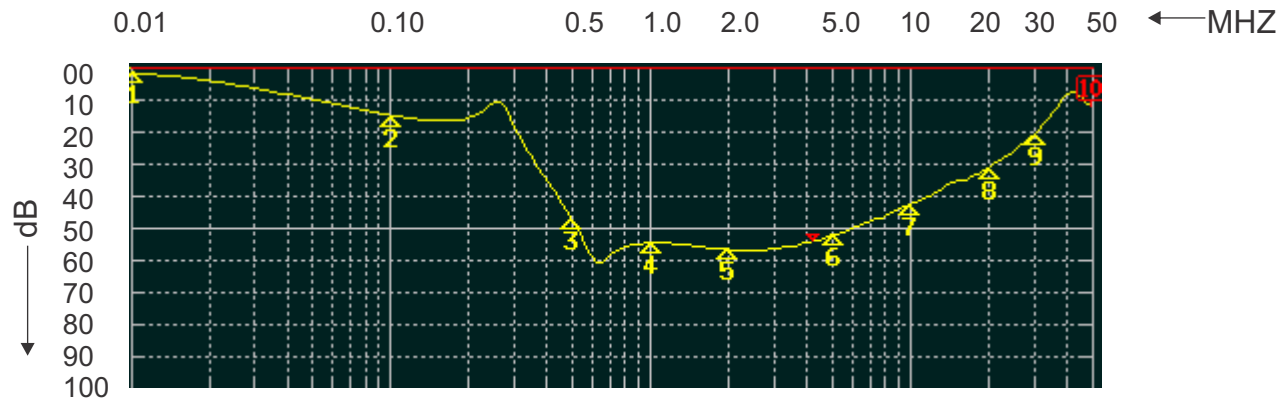
ROXBURGH EMC

FILTER INSERTION LOSS CHARACTERISTICS CISPR 17 - 50 OHM METHOD

RES60F06



COMMON MODE



DIFFERENTIAL MODE



RES60 Chassis Mounted Filter

Multi-Stage High Differential and High Common Mode

Options available:

Part Number	Rated Current	Leakage Current @	Inductance	Capacitance	Capacitance	Resistance	Connection Type	
	@40°C	230V/50Hz	ΣL	ΣC_x	ΣC_y	ΣR		
	A	mA	mH	μF	nF	K Ω		
RES60F01	1	0.74	24	0.44	9.4	1000	F	W
RES60F03	3	0.74	5	0.44	9.4	1000	F	W
RES60F06	6	0.74	1.94	0.44	9.4	1000	F	W
RES60F10	10	0.74	1.6	0.94	9.4	470	F	W
RES60F12	12	0.74	1.16	0.94	9.4	470	F	W
RES60F16	16	0.74	1.3	0.66	9.4	1000	F	W S
RES60F20	20	0.74	1.2	2.0	9.4	220	F	W
RES60S20	20	0.74	1.2	2.0	9.4	220		W S
RES60S30	30	0.87	1.2	2.0	20	220		S



Call us on:

+44 (0) 1724 273200



DEM Manufacturing

Deltron Emcon House, Hargreaves Way, Sawcliffe Industrial Park,
Scunthorpe, North Lincolnshire, DN15 8RF

Tel: +44 (0) 1724 273200

Email: sales@dem-uk.com

Web: www.dem-uk.com/roxburgh