

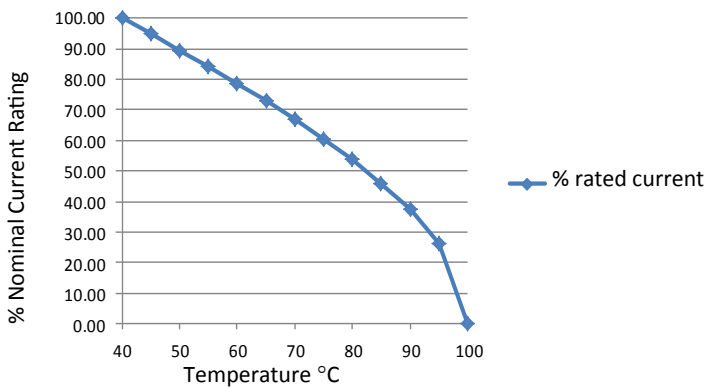
# RES60-M Multi-Stage Filter

## Medical Applications

Roxburgh EMC's RES60-M range are two-phase filters, designed specifically for the medical industry. They offer a high differential mode performance, with an operating frequency from DC to 400Hz. The series includes eight variations to select from with rated current between 1amp and 30amp.



Temperature Derating Curve for EMC Filters Rated at 40°C Ambient and 100°C Maximum



**Call us on:**  
**+44 (0) 1724 273228**

### Features:

- Two-Phase Filter
- High Differential Mode Performance
- UL Approved E191581
- For use from DC to 400Hz

### Benefits:

- Compact size for rated current
- Fast-on, screw or wire terminations
- Quick and Easy Mounting

### Applications:

These filters are designed for applications within the **medical industry**.

**Full technical specification on page 2**

**Other options in this range on page 3**

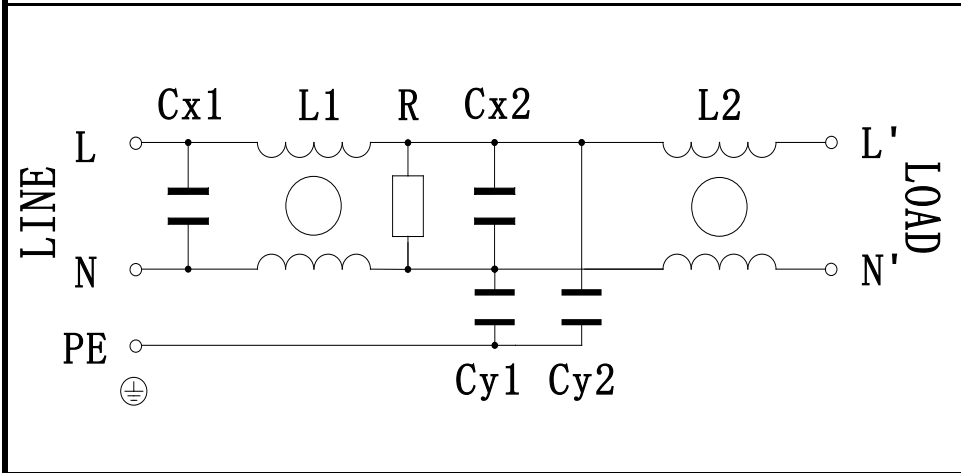
**DEM Manufacturing**  
Deltron Emcon House  
Hargreaves Way  
Sawcliffe Industrial Park  
Scunthorpe, North Lincolnshire.  
DN15 8RF



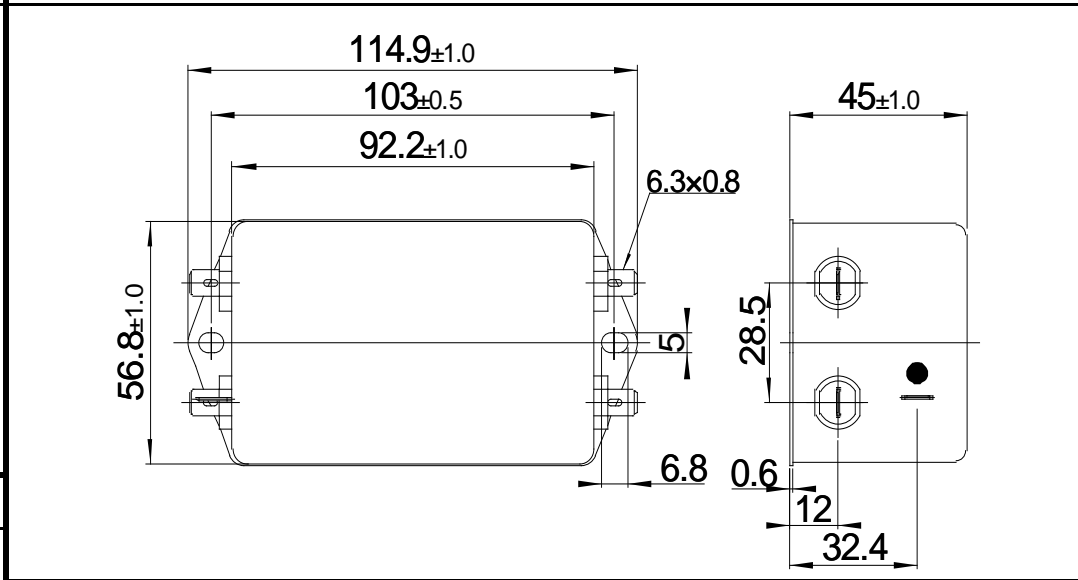
Tel: +44 (0) 1724 273200  
Email: sales@dem-uk.com

Web: [www.dem-uk.com/roxburgh](http://www.dem-uk.com/roxburgh)

**Circuit diagram:**



**Dimensions(mm):**



**Electrical parameters:**

Rated Voltage:	120/250VAC
Rated Current at an ambient temp:	20A@40°C
Operating Frequency:	50/60Hz
Climatic Class(IEC60068-1):	25/100/21
Operational Leakage current: (at 250VAC/50Hz and Total C +/-20%)	0.8mA max (RES60F20-M 0mA)
Operational Leakage current: (at 120VAC/60Hz and Total C +/-20%)	0.46mA max (RES60F20-M 0mA)
Test Voltage(100%)for 2 sec:	L-N:
	L/N-PE:

**Filter parameters:**

Total Inductance(L-L'/N-N'):	1.2mH +50%,-35%
Total Capacitance(L-N/L'-N'):	2uF +/-20%
Total Capacitance(L/N-PE) (RES60F20-M):	9.4nF +/-20% (0nF)
Total Resistance(L-N/L'-N'):	220KΩ +/-10%
Weight(Approximate):	450g

**Safety certification**

**Technical Specification**

UL	<input checked="" type="checkbox"/>	CSA	<input checked="" type="checkbox"/>	compiled by	Jay Zhang	2020-8-5
ENEC	<input checked="" type="checkbox"/>	CQC	<input type="checkbox"/>	reviewed by	Pallas Wang	2020-8-5
CE	<input checked="" type="checkbox"/>	VDE	<input type="checkbox"/>	approved by	Henry Huang	2020-8-5

+44 (0)1724 273200  
sales@dem-uk.com  
www.dem-uk.com/roxburgh




Part **RES60F20**  
Number (Alternate RES60F20-M - no Y caps)

single-phase emc filter  
stage marker V1.03

# RES60-M Multi-Stage Filter

## Medical Applications

### Options Available:

Part Number	Rated Current @40°C A	Leakage Current @ 230V/50Hz mA	Inductance $\Sigma L$ mH	Capacitance $\Sigma Cx$ uF	Resistance $\Sigma R$ K $\Omega$	Connection Type		
								
RES60F01-M	1	0.002	12	0.22	1000	F	W	
RES60F03-M	3	0.002	2.5	0.22	1000	F	W	
RES60F06-M	6	0.002	0.97	0.22	1000	F	W	
RES60F10-M	10	0.002	0.8	0.47	470	F	W	
RES60F12-M	12	0.002	0.58	0.47	470	F	W	
RES60F16-M	16	0.002	0.65	0.33	1000	F	W	S
RES60F20-M	20	0.002	0.6	1	220	F		S
RES60S30-M	30	0.002	0.6	1	220			S

Call us on:

**+44 (0) 1724 273200**



#### DEM Manufacturing

Deltron Emcon House, Hargreaves Way, Sawcliffe Industrial Park,  
Scunthorpe, North Lincolnshire, DN15 8RF

Tel: +44 (0) 1724 273200

Email: [sales@dem-uk.com](mailto:sales@dem-uk.com)

Web: [www.dem-uk.com/roxburgh](http://www.dem-uk.com/roxburgh)