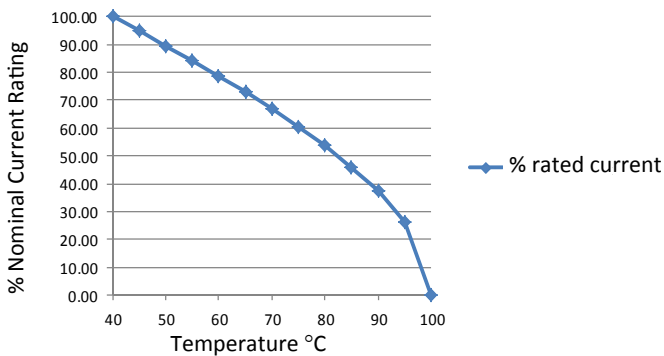


RES80 Chassis Mounted Filter

Multi-Stage, High Differential and High Common Mode



Temperature Derating Curve for EMC Filters
Rated at 40°C Ambient and 100°C Maximum



Call us on:
+44 (0) 1724 273200

Features:

-
-
-
-
-
-

Benefits:

-
-
-
-

Application Examples:

-
-
-
-
-
-
-
-
-
-

Full technical specification on page 2

Performance curves on page 3

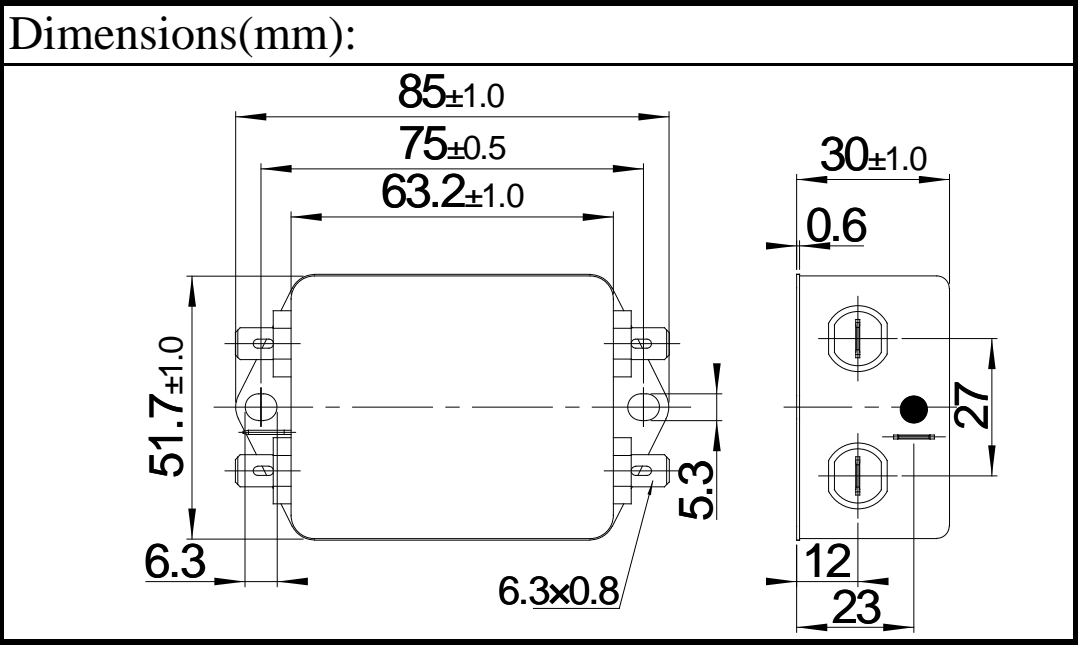
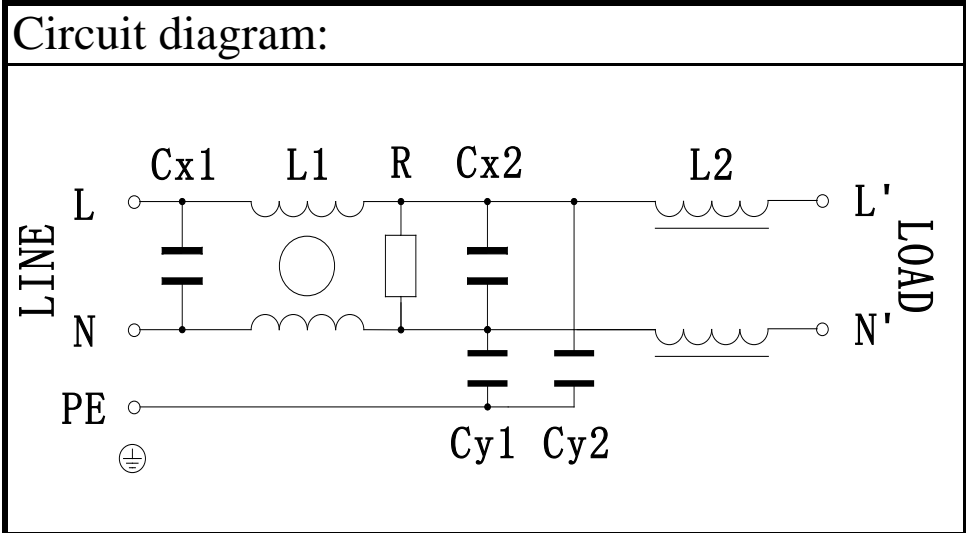
Other options in this range on page 4

DEM Manufacturing
Deltron Emcon House
Hargreaves Way
Sawcliffe Industrial Park
Scunthorpe, North Lincolnshire.
DN15 8RF



Tel: 44 (0) 1724 273200
Email: sales@dem-uk.com

Web: www.dem-uk.com/roxburgh



Electrical parameters:

Rated Voltage:	120/250VAC
Rated Current at an ambient temp:	1A@40°C
Operating Frequency:	50/60Hz
Climatic Class(IEC60068-1):	25/100/21
Operational Leakage current: (at 250VAC/50Hz and Total C +/-20%)	0.8mA max (RES80F01-M 0mA)
Operational Leakage current: (at 120VAC/60Hz and Total C +/-20%)	0.46mA max (RES80F01-M 0mA)
Test Voltage(100%)for 2 sec:	
L-N:	1100VDC/20mA
L/N-PE:	2250VDC/20mA

Filter parameters:

Total Inductance(L-L'/N-N'):	22.5mH +50%,-35%
Total Capacitance(L-N/L'-N'):	0.66uF +/-20%
Total Capacitance(L/N-PE) (RES80F01-M):	9.4nF +/-20% (0nF)
Total Resistance(L-N/L'-N'):	1MΩ +/-10%
Weight(Approximate):	170g

Safety certification				Technical Specification		
UL	<input checked="" type="checkbox"/>	CSA	<input checked="" type="checkbox"/>	compiled by	Jay Zhang	2020-8-5
ENEC	<input checked="" type="checkbox"/>	CQC	<input type="checkbox"/>	reviewed by	Pallas Wang	2020-8-5
CE	<input checked="" type="checkbox"/>	VDE	<input type="checkbox"/>	approved by	Henry Huang	2020-8-5

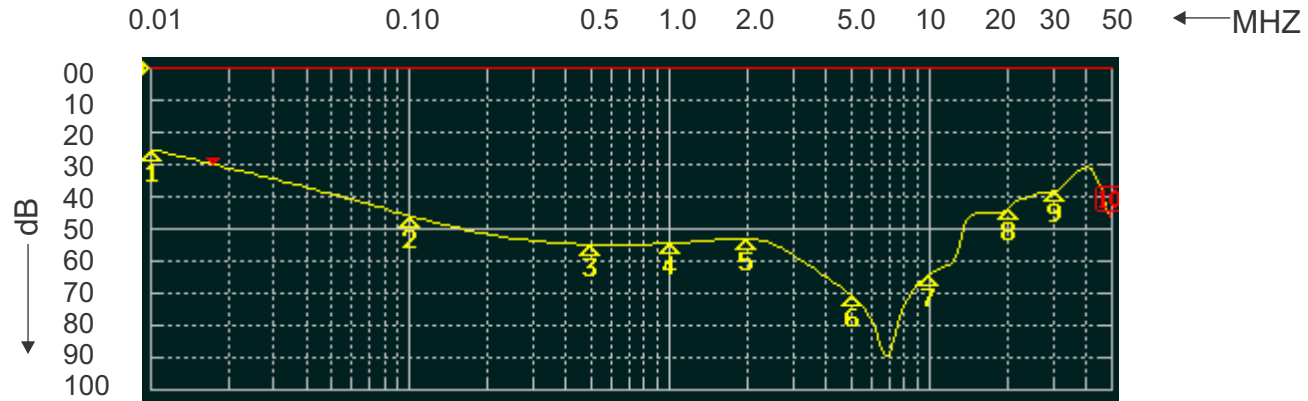


Part	RES80F01	single-phase emc filter
Number (Alternate RES80F01-M - no Y caps)	stage marker	V1.03

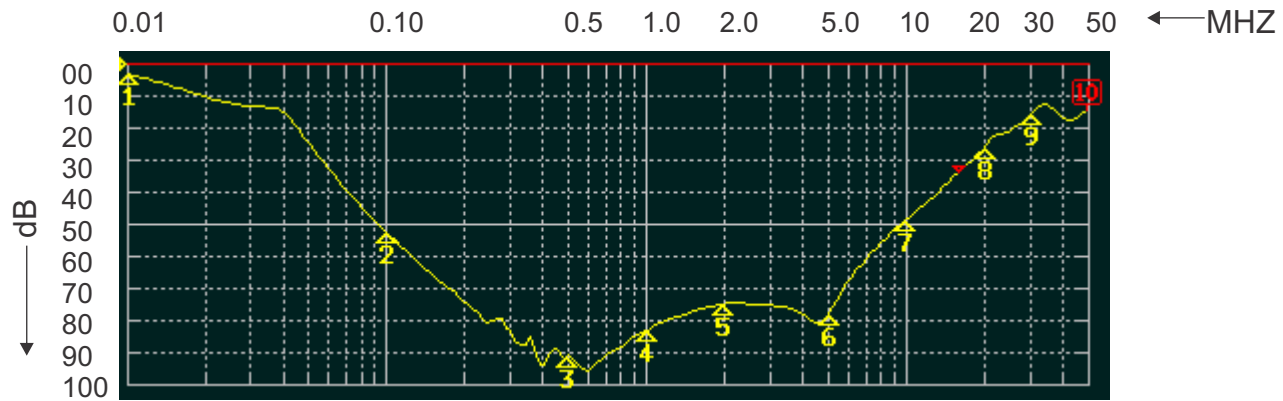
ROXBURGH EMC

FILTER INSERTION LOSS CHARACTERISTICS CISPR 17 - 50 OHM METHOD

RES80F01



COMMON MODE



DIFFERENTIAL MODE



RES80 Chassis Mounted Filter

Multi-Stage, High Differential and High Common Mode

Options Available:

Part Number	Rated Current @40°C A	Leakage Current @ 230V/50Hz mA	Inductance ΣL mH	Capacitance ΣCx uF	Capacitance ΣCy nF	Resistance ΣR K Ω	Connection Type		
RES80F01	1	0.73	22.4	0.66	9.4	1000	F	W	
RES80F03	3	0.73	9.96	0.94	9.4	470	F	W	
RES80F06	6	0.73	7.91	2	9.4	220	F	W	
RES80F10	10	0.73	4.56	2	9.4	220	F	W	
RES80F12	12	0.73	3.30	2	9.4	220	F	W	
RES80F16	16	0.73	2.84	2	9.4	220	F	W	S



Call us on:
+44 (0) 1724 273200



DEM Manufacturing
Deltron Emcon House Hargreaves Way Sawcliffe Industrial Park
Scunthorpe, North Lincolnshire DN15 8RF

Tel: 44 (0) 1724 273200
Email: sales@dem-uk.com
Web: www.dem-uk.com/roxburgh