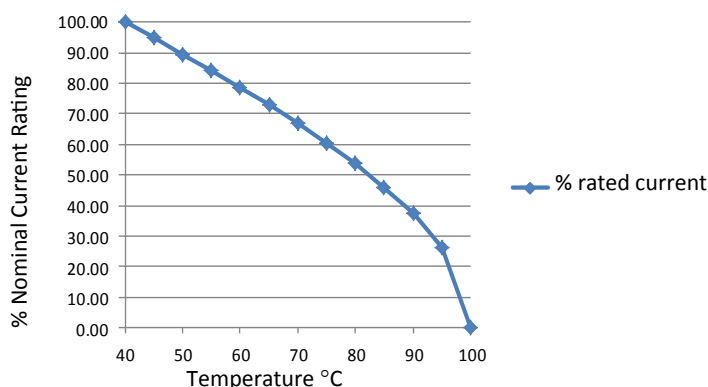


RES80-M Two-Stage High Performance Medical Applications

Roxburgh EMC's RES80-M range are two-stage filters, designed specifically for the medical industry. As a high performance filter it is well suited for particularly noisy applications. There are six variations to select from with rated current between 1amp and 16amp and operating frequency from DC to 400Hz.



Temperature Derating Curve for EMC Filters Rated at 40°C Ambient and 100°C Maximum



Call us on:
+44 (0) 1724 273228

Features:

- Two-Phase Filter
- High Performance Filter
- UL Approved E191581
- For use from DC to 400Hz

Benefits:

- Compact size for rated current
- Fast-on, screw or wire terminations
- Quick and easy mounting

Applications:

These filters are designed for applications within the **medical industry**.

Full technical specification on page 2

Other options in this range on page 3

DEM Manufacturing

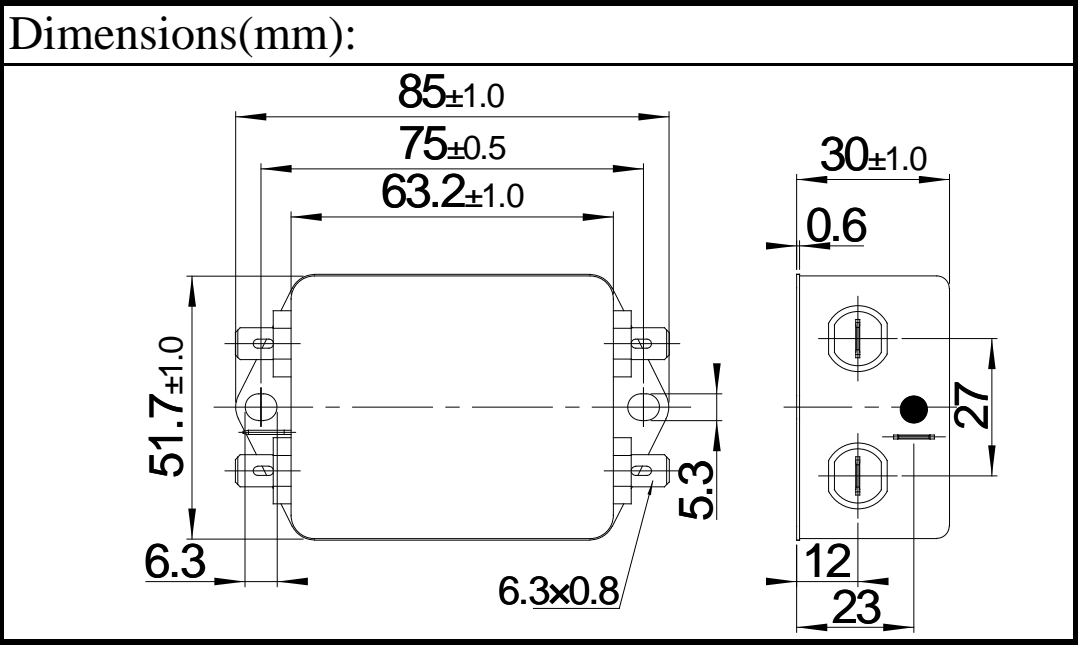
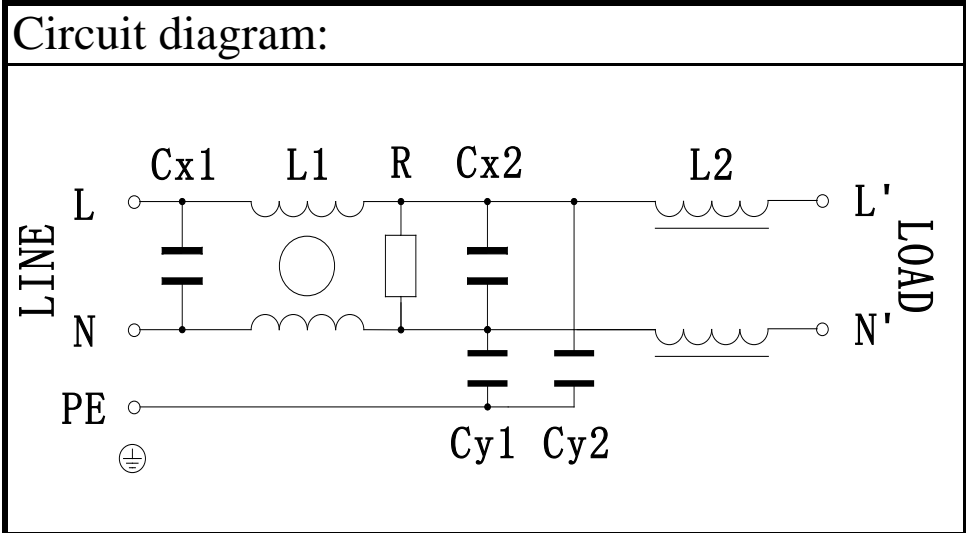
Deltron Emcon House
Hargreaves Way
Sawcliffe Industrial Park
Scunthorpe, North Lincolnshire.
DN15 8RF



Tel: +44 (0) 1724 273200

Email: sales@dem-uk.com

Web: www.dem-uk.com/roxburgh



Electrical parameters:

Rated Voltage:	120/250VAC
Rated Current at an ambient temp:	1A@40°C
Operating Frequency:	50/60Hz
Climatic Class(IEC60068-1):	25/100/21
Operational Leakage current: (at 250VAC/50Hz and Total C +/-20%)	0.8mA max (RES80F01-M 0mA)
Operational Leakage current: (at 120VAC/60Hz and Total C +/-20%)	0.46mA max (RES80F01-M 0mA)
Test Voltage(100%)for 2 sec:	
L-N:	1100VDC/20mA
L/N-PE:	2250VDC/20mA

Filter parameters:

Total Inductance(L-L'/N-N'):	22.5mH +50%, -35%
Total Capacitance(L-N/L'-N'):	0.66uF +/-20%
Total Capacitance(L/N-PE) (RES80F01-M):	9.4nF +/-20% (0nF)
Total Resistance(L-N/L'-N'):	1MΩ +/-10%
Weight(Approximate):	170g

Safety certification				Technical Specification		
UL	<input checked="" type="checkbox"/>	CSA	<input checked="" type="checkbox"/>	compiled by	Jay Zhang	2020-8-5
ENEC	<input checked="" type="checkbox"/>	CQC	<input type="checkbox"/>	reviewed by	Pallas Wang	2020-8-5
CE	<input checked="" type="checkbox"/>	VDE	<input type="checkbox"/>	approved by	Henry Huang	2020-8-5




ROXBURGH EMC  +44 (0)1724 273200
 sales@dem-uk.com
 www.dem-uk.com/roxburgh

Part **RES80F01**
 Number (Alternate RES80F01-M - no Y caps)

single-phase emc filter
stage marker V1.03

RES80-M Two-Stage High Performance Medical Applications

Options Available:

Part Number	Rated Current @40°C A	Leakage Current @ 230V/50Hz mA	Inductance ΣL mH	Capacitance ΣCx uF	Resistance ΣR K Ω	Connection Type		
								
RES80F01-M	1	0.002	22	0.33	1000	F	W	
RES80F03-M	3	0.002	9.8	0.47	470	F	W	
RES80F06-M	6	0.002	7.8	1	220	F	W	
RES80F10-M	10	0.002	4.5	1	220	F	W	
RES80F12-M	12	0.002	3.25	1	220	F	W	
RES80F16-M	16	0.002	2.8	1	220	F	W	S

Call us on:

+44 (0) 1724 273200



DEM Manufacturing

Deltron Emcon House, Hargreaves Way, Sawcliffe Industrial Park,
Scunthorpe, North Lincolnshire, DN15 8RF

Tel: +44 (0) 1724 273200

Email: sales@dem-uk.com

Web: www.dem-uk.com/roxburgh