

RES80 Chassis Mounted Filter

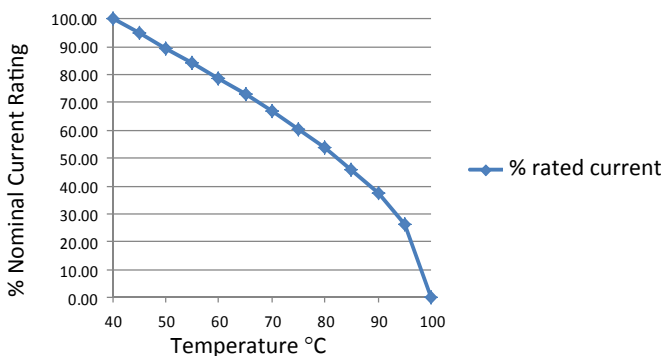
Multi-Stage, High Differential and High Common Mode

The RES80 series of multi-stage EMC filters from Roxburgh are designed for quick and easy chassis mounting. Featuring high differential mode and high common mode attenuation, this series has good low frequency attenuation.

These general purpose filters are suitable for a broad range of applications including noisy environments where increased filter performance is required.



**Temperature Derating Curve for EMC Filters
Rated at 40°C Ambient and 100°C Maximum**



Call us on:
+44 (0) 1724 273200

Features:

- Multi-stage
- High differential and high common mode attenuation
- Good low frequency attenuation
- UL approved E191581
- For use from DC to 400Hz
- 1 Amp to 16 Amp

Benefits:

- Compact size for rated current
- Fast-on, screw or wire terminations
- Quick and Easy Mounting
- Available from UK Stock

Application Examples:

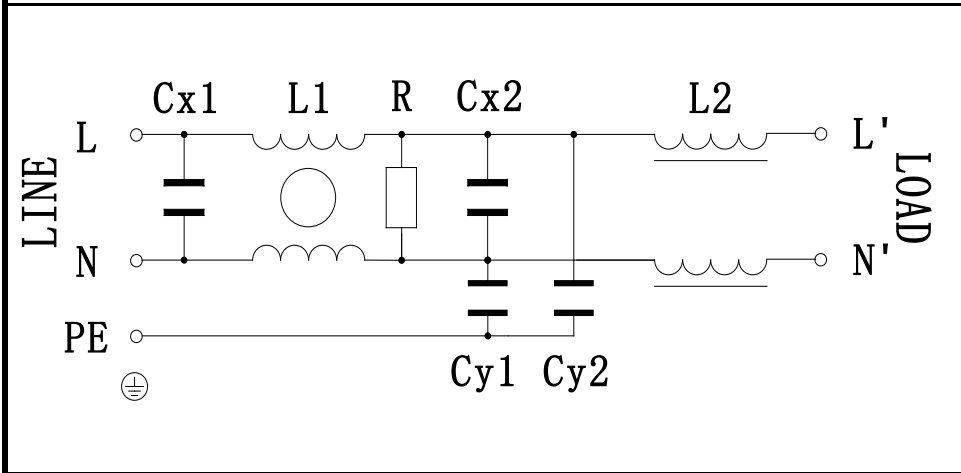
- Lighting
- Drives
- Electrical and electronic equipment
- Consumer goods
- Household equipment
- Building automation
- Machinery
- Electronic data/communication processing equipment
- Office automation

Full technical specification on page 2

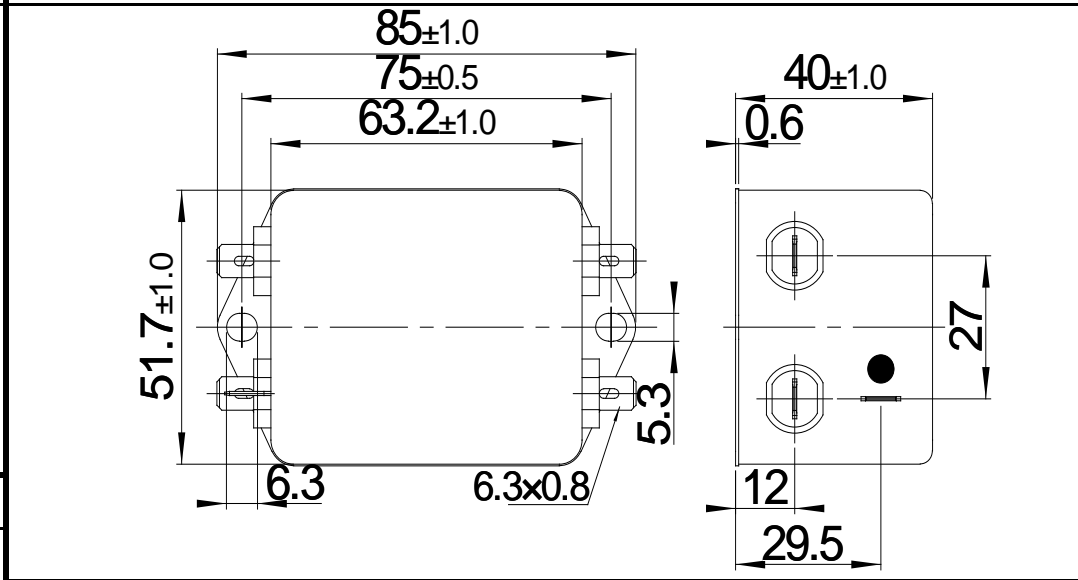
Performance curves on page 3

Other options in this range on page 4

Circuit diagram:



Dimensions(mm):



Electrical parameters:

Rated Voltage:	120/250VAC
Rated Current at an ambient temp:	3A@40°C
Operating Frequency:	50/60Hz
Climatic Class(IEC60068-1):	25/100/21
Operational Leakage current: (at 250VAC/50Hz and Total C +/-20%)	0.8mA max (RES80F03-M 0mA)
Operational Leakage current: (at 120VAC/60Hz and Total C +/-20%)	0.46mA max (RES80F03-M 0mA)
Test Voltage(100%)for 2 sec:	L-N:
	L/N-PE:
	1100VDC/20mA
	2250VDC/20mA

Filter parameters:

Total Inductance(L-L'/N-N'):	9.96mH +50%,-35%
Total Capacitance(L-N/L'-N'):	0.94uF +/-20%
Total Capacitance(L/N-PE) (RES80F03-M):	9.4nF +/-20% (0nF)
Total Resistance(L-N/L'-N'):	470KΩ +/-10%
Weight(Approximate):	240g

Safety certification **Technical Specification**

UL	<input checked="" type="checkbox"/>	CSA	<input checked="" type="checkbox"/>	compiled by	Jay Zhang	2020-8-5
ENEC	<input checked="" type="checkbox"/>	CQC	<input type="checkbox"/>	reviewed by	Pallas Wang	2020-8-5
CE	<input checked="" type="checkbox"/>	VDE	<input type="checkbox"/>	approved by	Henry Huang	2020-8-5

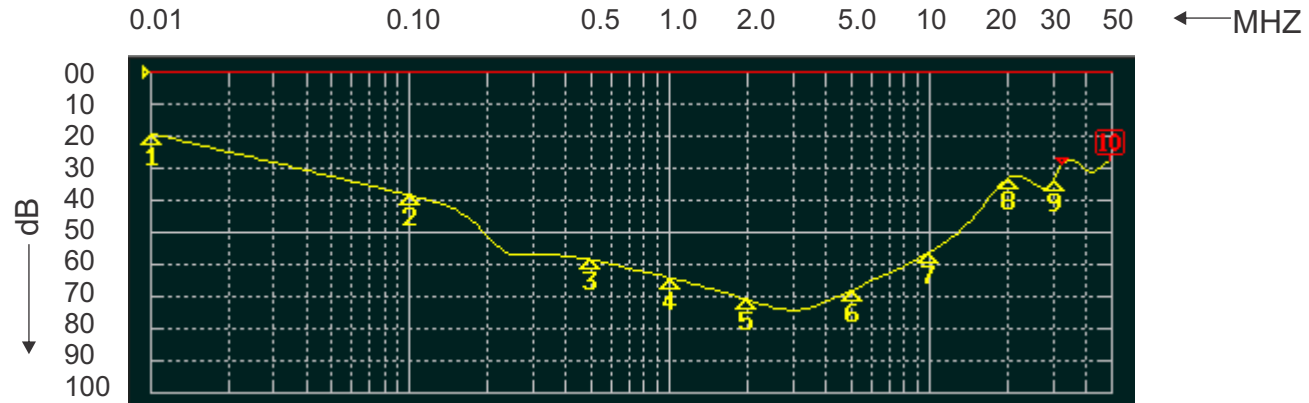
+44 01724 273200
sales@dem-uk.com
www.dem-uk.com/roxburgh

Part **RES80F03**
Number (Alternate RES80F03-M - no Y caps)

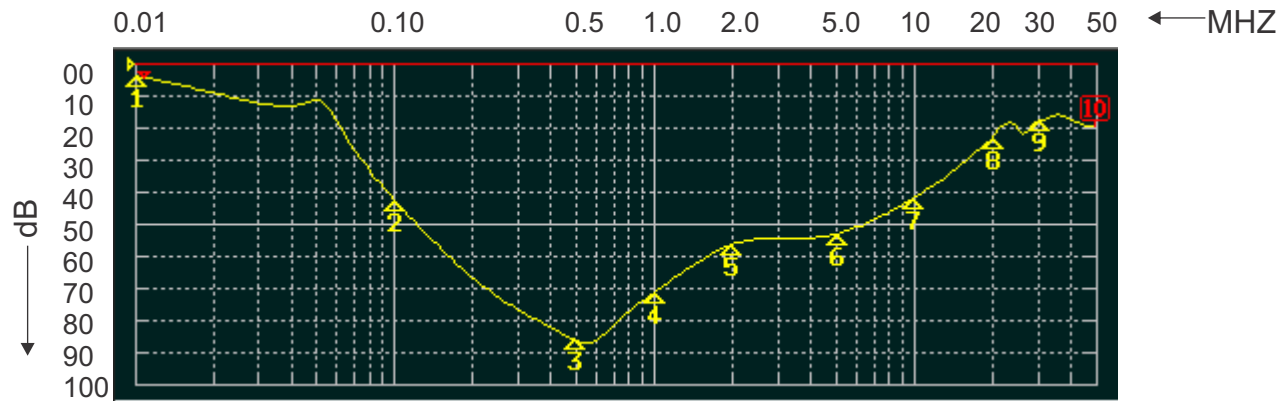
single-phase emc filter
stage marker V1.03

ROXBURGH EMC
FILTER INSERTION LOSS CHARACTERISTICS
CISPR 17 - 50 OHM METHOD

RES80F03



COMMON MODE



DIFFERENTIAL MODE



RES80 Chassis Mounted Filter

Multi-Stage, High Differential and High Common Mode

Options Available:

Part Number	Rated Current	Leakage Current @	Inductance	Capacitance	Capacitance	Resistance	Connection Type	
	@40°C	230V/50Hz	ΣL	ΣC_x	ΣC_y	ΣR		
	A	mA	mH	uF	nF	K Ω		
RES80F01	1	0.73	22.4	0.66	9.4	1000	F	W
RES80F03	3	0.73	9.96	0.94	9.4	470	F	W
RES80F06	6	0.73	7.91	2	9.4	220	F	W
RES80F10	10	0.73	4.56	2	9.4	220	F	W
RES80F12	12	0.73	3.30	2	9.4	220	F	W
RES80F16	16	0.73	2.84	2	9.4	220	F	W S



Call us on:

+44 (0) 1724 273200



DEM Manufacturing

Deltron Emcon House, Hargreaves Way, Sawcliffe Industrial Park,
Scunthorpe, North Lincolnshire, DN15 8RF

Tel: 44 (0) 1724 273200

Email: sales@dem-uk.com

Web: www.dem-uk.com/roxburgh