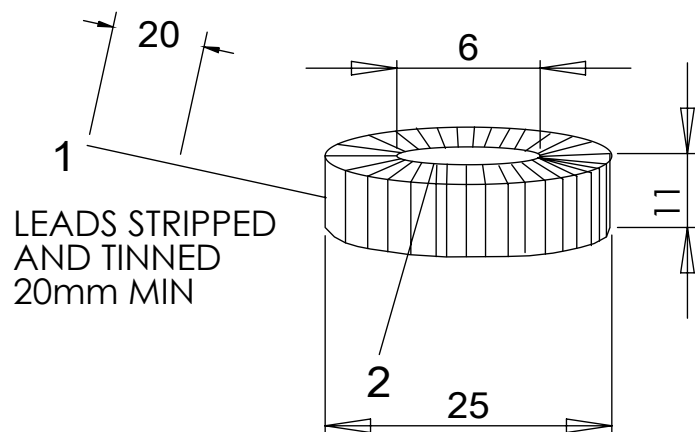


REV	DATE	ECN NUMBER	ECR COMMENT
003	01 Feb 2018	C03835	Add op temp
003	01 Feb 2018	C03835	Add op temp



LEADS STRIPPED AND TINNED 20mm MIN

Lead Lengths 40mm +5/-0mm



<b>TOR</b>	
<b>PART No</b>	T80-26 AL 46
<b>SIZE (OD/ID/Ht)</b>	20.2/12.6/6.35
<b>COATING MATERIAL</b>	UL94V-0 IRON POWDER
<b>Cu Wire</b>	
<b>PART No</b>	COP229 weight 9g
<b>SIZE (Dia)</b>	0.4mm
<b>COATING</b>	SOL 2
<b>Winding</b>	
<b>No Turns</b>	295
<b>No Layers</b>	CONTINUOUS
<b>No Strands</b>	ONE
<b>Direction</b>	AS PER SKETCH
<b>Operating Temp</b>	-40°C/+125°C

TEST	Nom	Tolerance	Min	Max
Inductance (mH)	4.0	+/-20%	3.2	4.8
Res (ohm)	0.9	+/-15%	0.76	1.04
Hi Pot (Vac)	N/A			