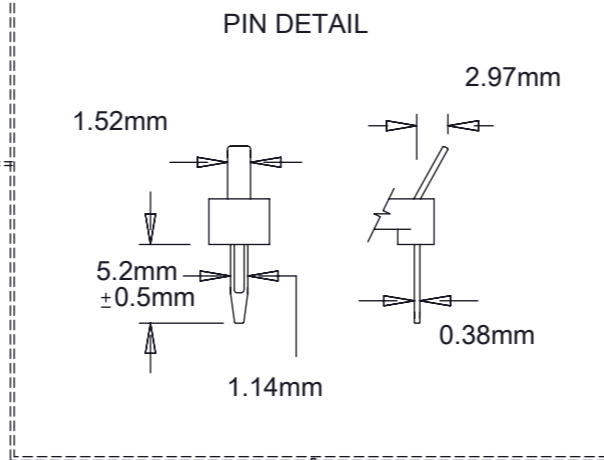
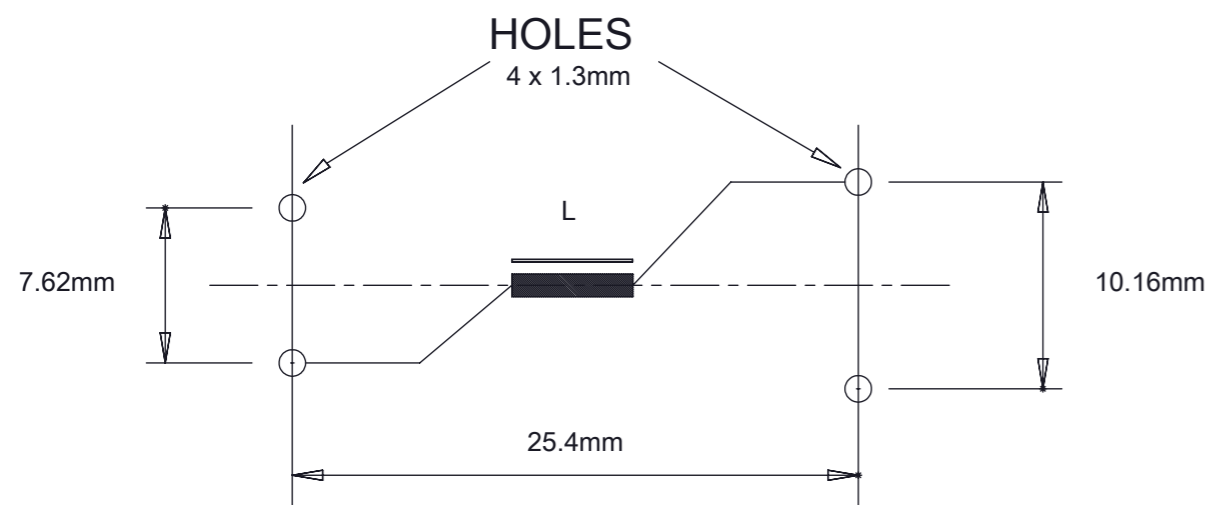


PRODUCT RANGE			
TYPE	I(Amps)	L(mH)	R(m)W
SMV0.5	0.5	2.15	3850
SMV1.0	1.0	1.17	1470
SMV2.0	2.0	0.50	370
SMV3.0	3.0	0.26	140
SMV4.0	4.0	0.21	100
SMV6.0	6.0	0.12	40
SMV8.0	8.0	0.09	25

MAXIMUM HEIGHT ABOVE P.C.B. - 30mm  
 MAXIMUM FOOTPRINT - 32mm X 17mm

MOUNTING DETAIL VIEWED FROM COMPONENT SIDE



SPECIFICATION

RATED VOLTAGE 250V AC  
 LINE FREQUENCY DC TO 440Hz  
 TEMPERATURE RANGE -25C TO + 100C  
 AMBIENT TEMPERATURE +45C @ RATED CURRENT